

Flow Stand Process and Hollow Fiber Module Holders

Stainless Steel Stands and
Module Holders to Secure
Your Hollow Fiber Module



Executive Summary

Take advantage of vertical production space. Flow stand process and interchangeable flow stand process module holders are designed to securely mount an Investigator, mini-Bioproducer, Bioproducer or Maximizer hollow fiber module in a process development suite. The vertical position of the module optimizes placement of lab equipment and facilitates set up and ease of processing.

Unique Selling Points

Take Advantage of Vertical Production Space

- Designed to securely mount your hollow fiber module or hollow fiber Flow Assembly in a process development suite
- Optimized placement
- Reduced footprint
- Height adjusting handles: Module holders have an easy to use handle to adjust the height of your module or Flow Assembly
- Capable of holding 12 inch, 24 inch and 41 inch modules (24 inch and 41 inch require two module holders)

Relevant Applications

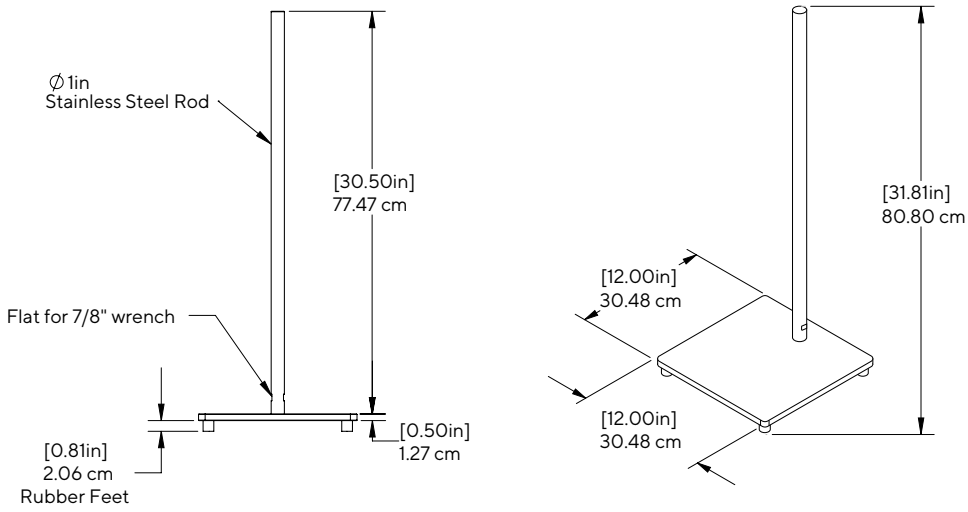
- Concentration and purification of vaccines
- Concentration and diafiltration of gene therapy products
- Cell-harvest (e.g. excellent results have been achieved with both *E. Coli* whole cells and *E. Coli* lysates, as well as other microbial process streams.)
- Clarification of mammalian | CHO cell cultures and maximizing protein recovery
- Concentration | diafiltration of monoclonal antibodies, recombinant proteins, biological macromolecules and peptides.

Technical Specifications

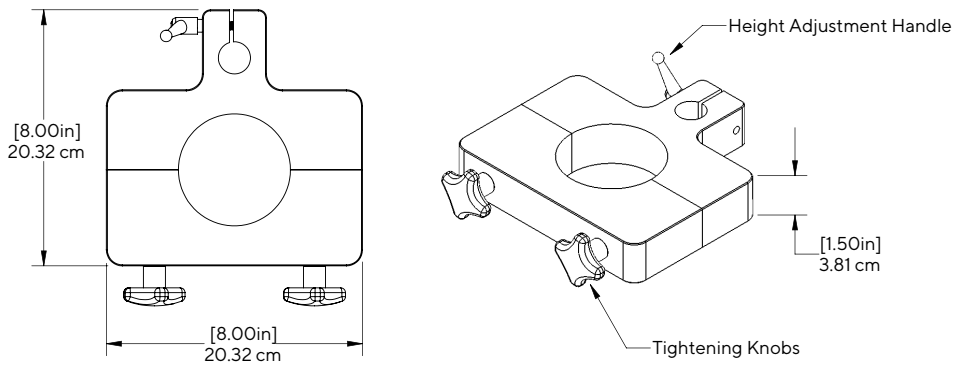
Attribute	Flow Stand	Flow Stand Lab Module Holder
Materials of construction (not in fluid contact)	Base and Rod 316 L stainless steel	Module Holder Polyethylene (not autoclavable)
	Feet Rubber - SBR	Threaded Rods 18-8 stainless steel
		Tightening Knobs and Height Adjustment Handle 303 stainless steel
Dimensions	Rod Dimensions 30.5" (77.47 cm) long × 1.0" (2.54 cm) diameter	Module Holder Dimensions 8.00" (20.32 cm) long × 8.00" (20.32 cm) wide × 1.50" (3.81 cm) thickness
	Base Dimensions 12.0" (30.48 cm) long × 12.0" (30.48 cm) wide × 0.5" (1.27 cm) thickness	Diameter of Rod Opening 1.0" (2.54 cm) diameter
	Weight with module holder 34 lbs (15.4 kg)	Diameter of Module Opening 1.32" (3.34 cm) - Investigator 2.70" (6.86 cm) - mini-Bioproducer 3.50" (8.89 cm) - Bioproducer 4.62" (11.73 cm) - Maximizer

Overview

Flow Stand Process



Flow Stand Process Module Holder



Ordering Information


	Flow Stand Process	Flow Stand Process Module Holder
Investigator		FCINVPRCHOLD01
mini-Bioproducer	FCPROSTAND0001	FCMPRPRCHOLD01
Bioproducer		FCPROPRCHOLD01
Maximizer		FCMAXPRCHOLD01

Germany

Sartorius Stedim Biotech GmbH
August-Spindler-Strasse 11
37079 Goettingen
Phone +49 551 308 0

USA

Sartorius Stedim North America Inc.
565 Johnson Avenue
Bohemia, NY 11716
Toll-Free +1 800 368 7178

 For further contacts, visit
www.sartorius.com