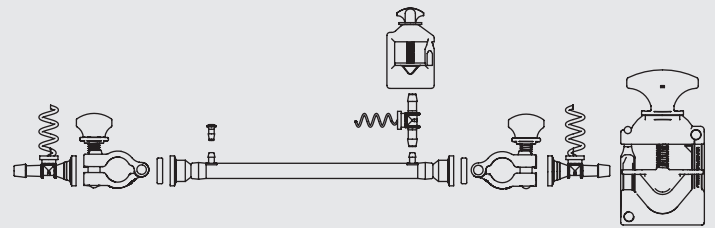


# Flow Connector Kit Researcher

Hardware Selected to Connect Your Specific Hollow Fiber Module to a Crossflow Assembly



## Executive Summary

Flow Connector Kit - Researcher connects your hollow fiber Researcher module to your assembly tubing. The kits come with PendoTECH pressure sensors that enable monitoring of transmembrane pressure (TMP).

## Unique Selling Points

Hardware selected to connect your Researcher hollow fiber module to a crossflow assembly. The kits include, as needed:

- Clamps
- Pinch valves
- Reducers
- Silicone gaskets
- Plugs
- Single-use pressure sensors to enable monitoring of transmembrane pressure (TMP)

# Relevant Applications

Sartorius Hollow Fiber Modules are designed for biopharmaceutical processing. They can be used for the following applications:

## Upstream

- Cell harvest
- Cell or lysate clarification

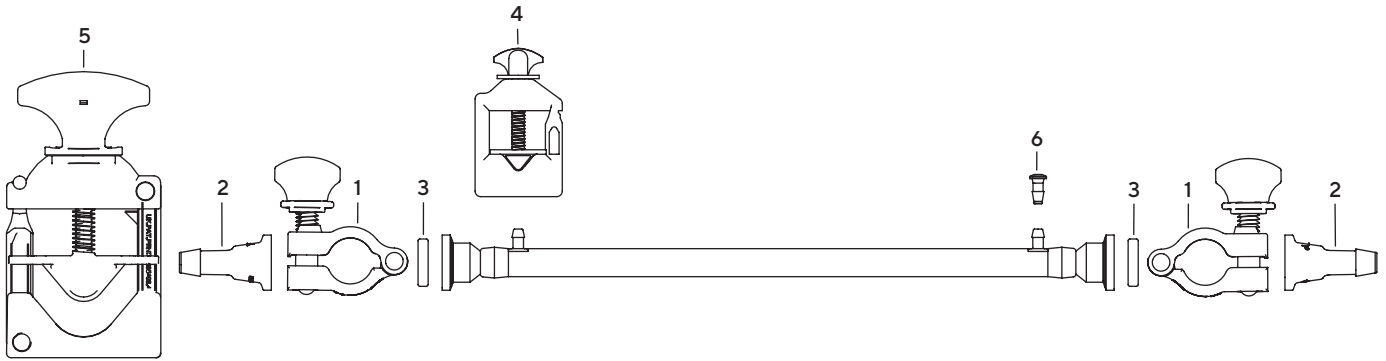
## Downstream

- Concentration
- Diafiltration

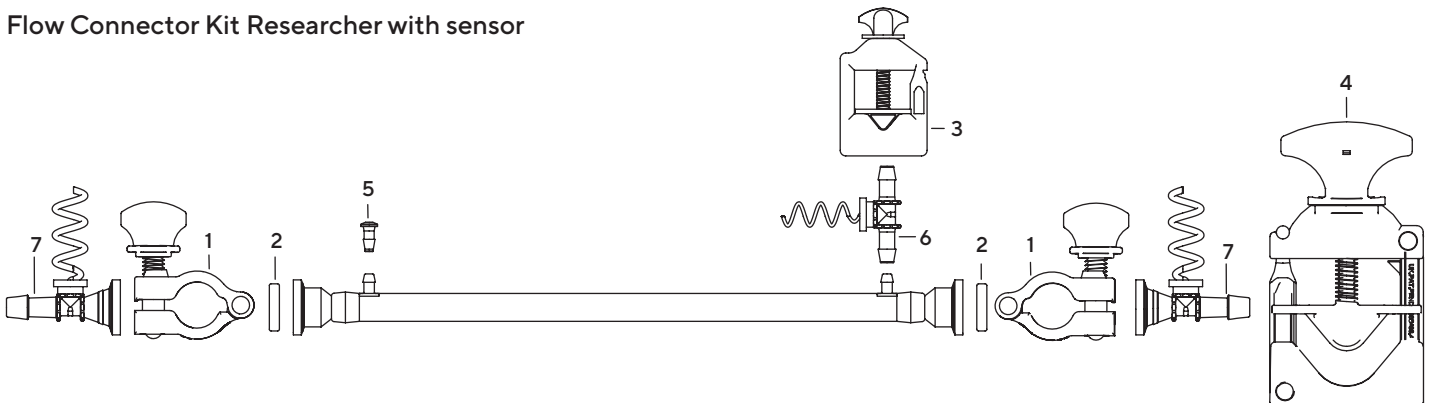
# Technical Specifications

Attribute	Item	Material
In fluid contact	Gaskets	Platinum-cured silicone
In fluid contact	Reducers	Polypropylene AF
In fluid contact	Sensors	Polysulfone
Not in fluid contact	Pinch Valves	Glass Reinforced White Nylon
Not in fluid contact	Clamps	Glass Reinforced White Nylon

## Flow Connector Kit Researcher no sensor



## Flow Connector Kit Researcher with sensor



Specification	Item Number	Description	Use	Quantity
without Sensors	1	0.75 inch TC Clamps	For Retentate   Feed	2
	2	0.75 inch TC × 0.375 inch Barb (Reducers)	For Retentate   Feed	2
	3	0.75 inch TC Silicone Gaskets (2 extra not shown)	For Retentate   Feed	4
	4	0.375 inch Pinch Valve	For Permeate	1
	5	0.75 inch Pinch Valve	For Permeate	1
	6	Press In Plugs, 0.375 inch Barb	For Retentate   Feed	2 (1 extra not shown)
with Sensors	1	0.75 inch TC Clamps	For Retentate   Feed	2
	2	0.75 inch TC Silicone Gaskets	For Retentate   Feed	4 (2 extra not shown)
	3	0.375 inch Pinch Valve	For Permeate	1
	4	0.75 inch Pinch Valve	For Retentate	1
	5	2) Press In Plugs, 0.375 inch Barb	For Permeate	2 (1 extra not shown)
	6	Single-use Pressure Sensor 0.25 inch Barb	For Permeate	1
	7	Single-use Pressure Sensor 0.75 inch TC × 0.375 inch Barb	For Retentate   Feed	2

## Ordering Information


	Green Line, Steamer Line, Reuse Line	
Specification	with Sensors	without Sensors
Order Code	FCRESKIT-SEN01	FCRESKIT-00001

**Germany**

Sartorius Stedim Biotech GmbH  
August-Spindler-Strasse 11  
37079 Goettingen  
Phone +49 551 308 0

**USA**

Sartorius Stedim North America Inc.  
565 Johnson Avenue  
Bohemia, NY 11716  
Toll-Free +1 800 368 7178

 For further contacts, visit  
[www.sartorius.com](http://www.sartorius.com)