



Standard Flexel[®] 3D bioprocessing bags for Palletank (For Europe, Asia and Latin America)



Features	Benefits
Multiple manufacturing sites	High security of supply
All connections extensively qualified	Safe and robust
Full compliance with ISO11137	Highest sterility assurance level
Standard design	Most designs available from stock
Designed to fit Palletank	Market leading space saving bag containment system
3/4" ID bottom drain	Quick transfer of process fluid
Various bag & filter sizes	High flexibility

Description

Flexel[®] 3D standard bags are designed for processing, storage and transport of large volume biopharmaceutical solutions in Sartorius Stedim Biotech's proven Palletank containers. They provide a single-use alternative to traditional stainless steel vessels in a large variety of applications.

Cost reduction and risk reduction

Single-use systems used in biopharmaceutical manufacturing improve process safety as they reduce the risk of cross contamination from batch-to-batch and product-to-product. Costly and time consuming CIP & SIP operations are minimized. This results not only in significant cost savings within the entire manufacturing process, but also in the optimization of capacity utilization.

Applications

The multi-layer film construction of different materials provides a strong structure with low gas permeability and high chemical resistance for the safe processing of a wide range of biopharmaceutical fluids in a variety of applications such as:

- Buffers and media filtration & storage
- Bulk harvest
- Product pooling
- Fraction collection
- Sample collection
- Bulk intermediate filtration & hold
- Final product storage and transport

Flexibility

Standard Flexel[®] 3D bags are available as stand-alone bags with silicone tubing, stand-alone bags with C-Flex[®] tubing and filter & bag assemblies incorporating a variety of filter and bag sizes allowing easy adoption to process volume and media. Multiple configurations that also integrate thermoweldable TPE tubing are provided for flexible incorporation into your process. Thus, sterile connection and disconnection devices like the BioWelder[®] and the BioSealer[®] can be used to allow safe connections and disconnections from and to another process step.

Female luer fittings with a needle free sampling port may be used for easy and convenient sampling, quick connects may be attached directly or adapted to a variety of connections and tri-clamps that are widely used in a production environment assure maximum flexibility.

Fast operation

The new defined range of standard Flexel[®] 3D bag systems incorporates 1,000 L standard bag solutions that enable the user to empty the bags quickly through a 3/4" ID tubing.

Standard Flexel[®] 3D for Palletank

Bag Chamber:	Multiple layer film construction, including EV0H gas barrier layer ULDPE contact layer
Tubing:	Silicone, TPE
Fittings:	MPX Couplings, Female Luer Lock, MPC Male Coupling, Triclamp, Needle-less sampling port
Filters:	Sartopore [®] 2 Gamma Filter Capsule
Volumes:	100 L-1,000 L
Number of Ports:	Standard silicone: 100 L-1,000 L: 3 (2 top, 1 bottom)
	Standard TPE: 100 L-1,000 L: 4 (3 top, 1 bottom)
	Standard TPE & Sartopore [®] 2: 100 L-1,000 L: 4 (3 top, 1 bottom)
Sterilization:	by Gamma Irradiation

Security of Supply

Sartorius Stedim Biotech has established multiple manufacturing sites with consistent industrial processes. The expertise of designing Single Use solutions combined with collaborative supplier management and customer demand planning assures a state of the art product supported by a robust supply chain that can cope with strong market growth.

Validation

Flexel® bags have been qualified applying the most comprehensive and innovative test regimes. Biological, chemical and physical tests combined with extensive extractable testings provide users of Flexel® 3D bags with data representing the widest range of process fluids in a variety of processing conditions.

Full compliance with ISO11137 allows for a validated claim of sterility on all Sartorius Stedim Biotech single-use products with a sterility assurance level of 10^{-6} over the shelf life.

Quality Assurance

Sartorius Stedim Biotech Quality Systems for Single-use products follow applicable ISO and FDA regulations for Medical Devices. Design, Manufacture and Sterilization processes are conducted under conditions that mirror biopharmaceutical operations and meet cGMP requirements.

Flexel® 3D bags for Palletank are tested for compliance to:

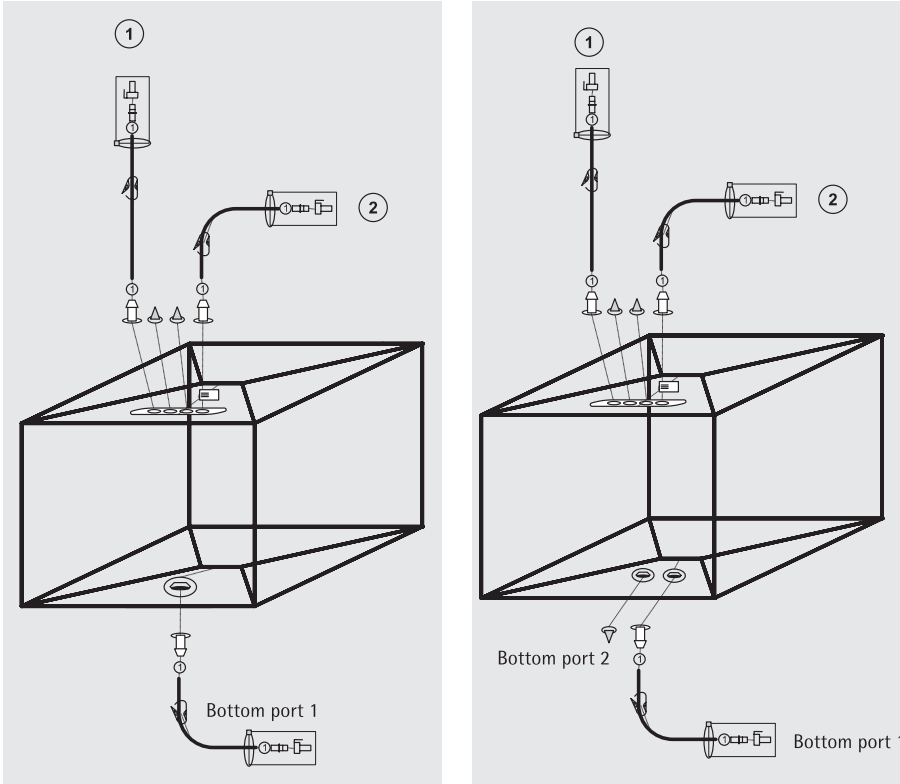
- USP <87>: Biological reactivity tests, in Vitro
- USP <88>: Biological reactivity tests, in Vivo
- USP <661>: Tests for plastic
- USP <788> and E.P. 2.9.19 : Particulate
- ISO 11737 : Bioburden
- ISO 11137 : Sterilization of Medical Devices

Supply Chain

The majority of standard Flexel® 3D bags for Palletank systems are available from stock.

Ordering Information

1. Standard Flexel® 3D bags with silicone tubes



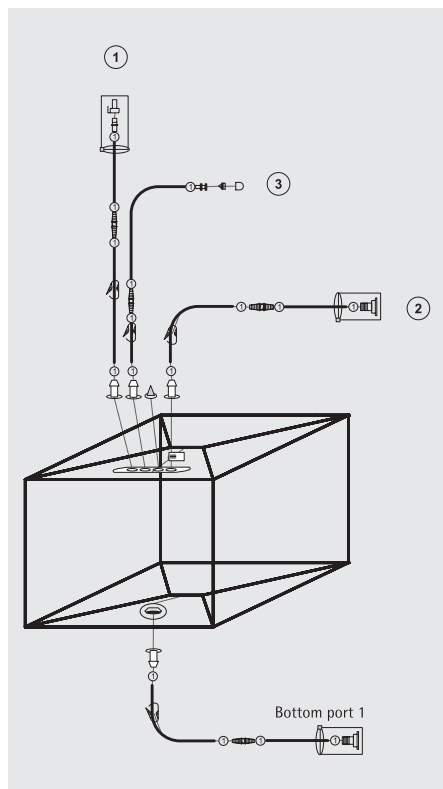
Standard Flexel® 3D bags with silicone tubes (100 L to 500 L) Standard Flexel® 3D bags with silicone tubes (1,000 L)

Part number	Description	Tubing	Top Port 1	Top Port 2	Bottom Port 1	Qty/Box
FXB103341	Flexel® 100L for Palletank – Silicone	Silicone	1/2" × 11/16" × 0.5 m (20") 1/2" MPX male + sealing cap	1/2" × 11/16" × 0.5 m (20") 1/2" MPX male + sealing cap	1/2" × 11/16" × 0.5 m (20") 1/2" MPX male + sealing cap	5
FXB103364	Flexel® 200L for Palletank – Silicone	Silicone	1/2" × 11/16" × 0.5 m (20") 1/2" MPX male + sealing cap	1/2" × 11/16" × 0.5 m (20") 1/2" MPX male + sealing cap	1/2" × 11/16" × 0.5 m (20") 1/2" MPX male + sealing cap	5
FXB103376	Flexel® 500L for Palletank – Silicone	Silicone	1/2" × 11/16" × 0.5 m (20") 1/2" MPX male + sealing cap	1/2" × 11/16" × 0.5 m (20") 1/2" MPX male + sealing cap	1/2" × 11/16" × 0.5 m (20") 1/2" MPX male + sealing cap	5

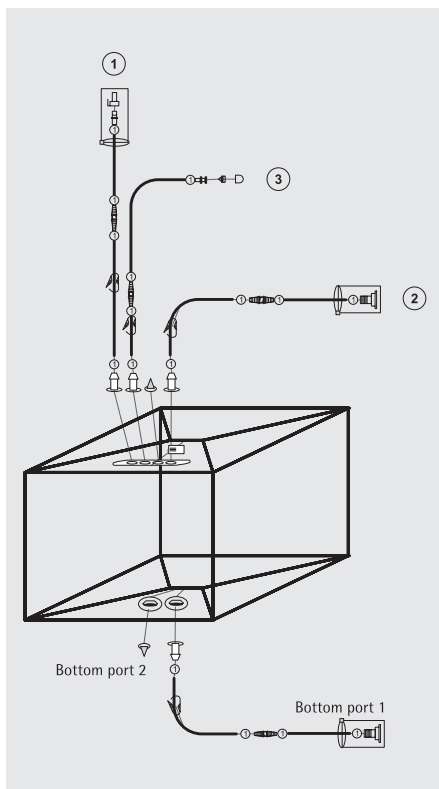
Part number	Description	Tubing	Top Port 1	Top Port 2	Bottom Port 1	Bottom Port 2	Qty/Box
FXB103426	Flexel® 1000L for Palletank – Silicone	Silicone	1/2" × 11/16" × 1.5 m (60") 1/2" MPX male + sealing cap	1/2" × 11/16" × 1.5 m (60") 1/2" MPX male + sealing cap	1/2" × 11/16" × 1 m (40") 1/2" MPX male + sealing cap	Plug	4

Ordering Information

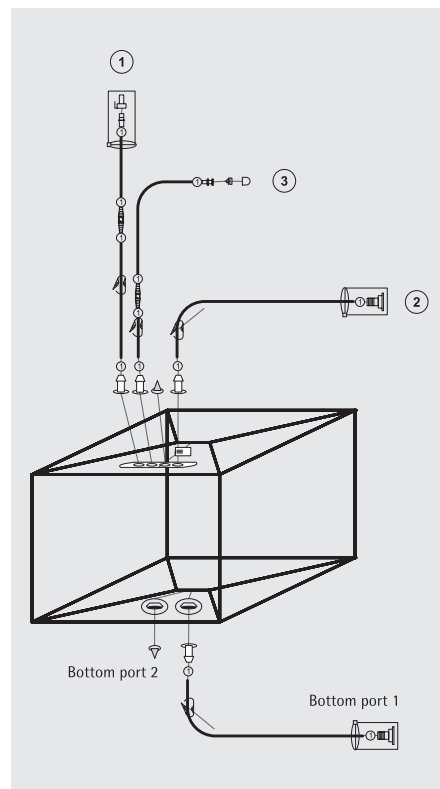
2. Standard Flexel® 3D bags with TPE tubes



Standard Flexel® 3D bags with TPE tubes (100 L to 500 L)



Standard Flexel® 3D bags with TPE tubes (1,000 L)

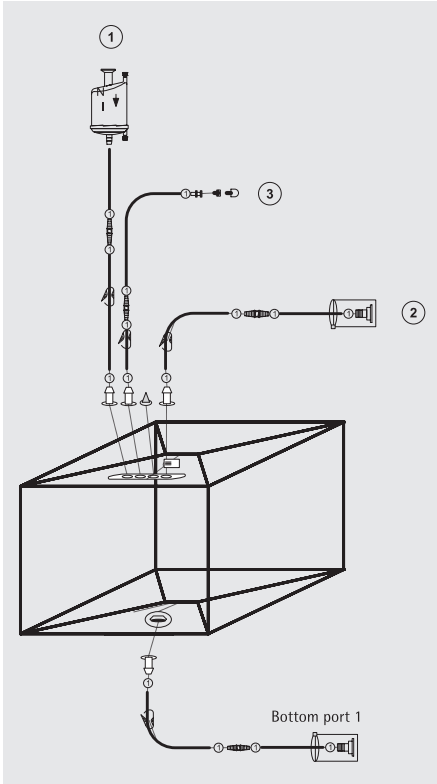


Standard Flexel® 3D bags with TPE tubes
High Flow Rate (1,000 L)

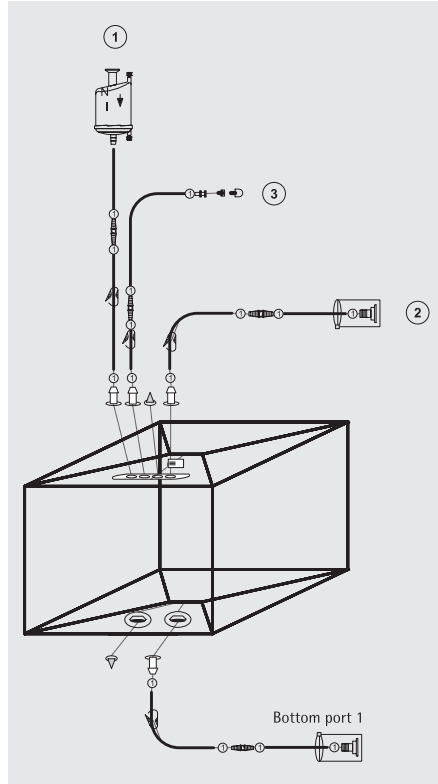
Part number	Description	Tubing	Top Port 1	Top Port 2	Top Port 3	Bottom Port 1	Qty/Box
FXB110925	Flexel® 100L for Palletank - PTE	Silicone + Clear C-Flex® 374	1/2" × 3/4" × 1.5 m (60") 1/2" MPX male + sealing cap	1/2" × 3/4" × 1.5 m (60") 1-1/2" Tri-Clamp	1/8" × 1/4" × 1.1 m (40") LL female + needle free sampling port	1/2" × 3/4" × 1.5 m (60") 1-1/2" Tri-Clamp	4
FXB110927	Flexel® 200L for Palletank - TPE	Silicone + Clear C-Flex® 374	1/2" × 3/4" × 1.5 m (60") 1/2" MPX male + sealing cap	1/2" × 3/4" × 1.5 m (60") 1-1/2" Tri-Clamp	1/8" × 1/4" × 1.1 m (40") LL female + needle free sampling port	1/2" × 3/4" × 1.5 m (60") 1-1/2" Tri-Clamp	2
FXB110929	Flexel® 500L for Palletank - TPE	Silicone + Clear C-Flex® 374	1/2" × 3/4" × 1.5 m (60") 1/2" MPX male + sealing cap	1/2" × 3/4" × 1.5 m (60") 1-1/2" Tri-Clamp	1/8" × 1/4" × 1.1 m (40") LL female + needle free sampling port	1/2" × 3/4" × 1.5 m (60") 1-1/2" Tri-Clamp	2
FXB110930	Flexel® 1000L for Palletank - TPE	Silicone + Clear C-Flex® 374	1/2" × 3/4" × 1.5 m (60") 1/2" MPX male + sealing cap	1/2" × 3/4" × 1.5 m (60") 1-1/2" Tri-Clamp	1/8" × 1/4" × 1.1 m (40") LL female + needle free sampling port	1/2" × 3/4" × 1.5 m (60") 1-1/2" Tri-Clamp	2
FXB111157	Flexel® 1,000L for Palletank - HIGH FLOW - TPE	Silicone + Clear C-Flex® 374	1/2" × 3/4" × 1.5 m (60") 1/2" MPX male + sealing cap	3/4" × 1-1/8" × 1.5 m (60") silicone 1-1/2" Tri-Clamp	1/8" × 1/4" × 1.1 m (40") LL female + needle free sampling port	3/4" × 1-1/8" × 1.5 m (60") silicone 1-1/2" Tri-Clamp	2

Ordering Information

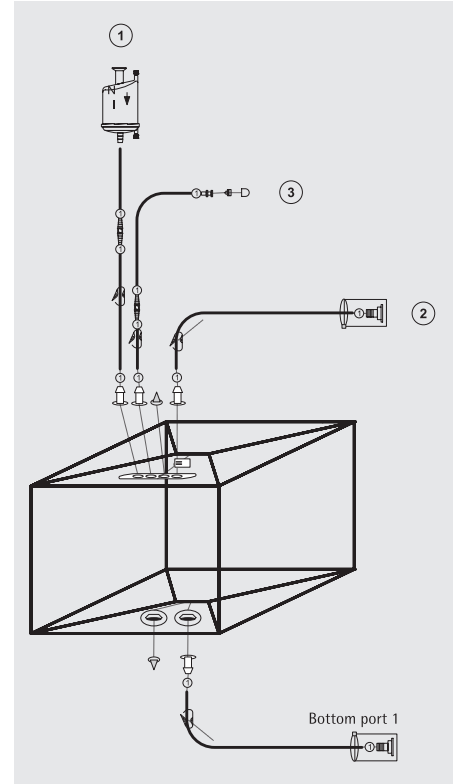
3. Standard Flexel® 3D bags with TPE tubes and Sartopore® 2 Gamma MidiCaps



Standard Flexel® 3D bags with TPE tubes and Sartopore® 2 Gamma MidiCaps (100 L to 500 L)



Standard Flexel® 3D bags with TPE tubes and Sartopore® 2 Gamma MaxiCaps (1,000 L)



Standard Flexel® 3D bags with TPE tubes and Sartopore® 2 Gamma MaxiCaps - High Flow rate (1,000 L)

Standard Flexel® 3D bags with TPE tubes and Sartopore® 2 Gamma MidiCaps, 0.2 µm (100 L to 500 L)

Part number	Description	Tubing	Top Port 1	Top Port 2	Top Port 3	Bottom Port 1	Qty/Box
FXB110962	Flexel® 100L for Palletank - TPE - Sartopore® 2 Gamma	Silicone + Clear C-Flex® 374	1/2" x 3/4" x 1.5 m (60") Sartopore® 2 Gamma, MidiCaps size 8, 0.2 µm, filter inlet 1.5" sanitary flange 1,000 cm ²	1/2" x 3/4" x 1.5 m (60") 1-1/2" Tri-Clamp	1/8" x 1/4" x 1.1 m (40") LL female + needle free sampling port	1/2" x 3/4" x 1.5 m (60") 1-1/2" Tri-Clamp	3
FXB110964	Flexel® 200L for Palletank - TPE - Sartopore® 2 Gamma	Silicone + Clear C-Flex® 374	1/2" x 3/4" x 1.5 m (60") Sartopore® 2 Gamma, MidiCaps size 9, 0.2 µm, filter inlet 1.5" sanitary flange 2,000 cm ²	1/2" x 3/4" x 1.5 m (60") 1-1/2" Tri-Clamp	1/8" x 1/4" x 1.1 m (40") LL female + needle free sampling port	1/2" x 3/4" x 1.5 m (60") 1-1/2" Tri-Clamp	2
FXB110966	Flexel® 500L for Palletank - TPE - Sartopore® 2 Gamma	Silicone + Clear C-Flex® 374	1/2" x 3/4" x 1.5 m (60") Sartopore® 2 Gamma, MidiCaps size 0, 0.2 µm, filter inlet 1.5" sanitary flange 4,500 cm ²	1/2" x 3/4" x 1.5 m (60") 1-1/2" Tri-Clamp	1/8" x 1/4" x 1.1 m (40") LL female + needle free sampling port	1/2" x 3/4" x 1.5 m (60") 1-1/2" Tri-Clamp	2

Standard Flexel® 3D bags with TPE tubes and Sartopore® 2 Gamma MidiCaps, 0.1 µm (100 L to 500 L)

Part number	Description	Tubing	Top Port 1	Top Port 2	Top Port 3	Bottom Port 1	Qty/Box
FXB110975	Flexel® 100L for Palletank – TPE – Sartopore® 2 Gamma	Silicone + Clear C-Flex® 374	1/2" × 3/4" × 1.5 m (60") Sartopore® 2 Gamma, MidiCaps size 8, 0.1 µm, filter inlet 1.5" sanitary flange 1,000 cm ²	1/2" × 3/4" × 1.5 m (60") 1-1/2" Tri-Clamp	1/8" × 1/4" × 1.1 m (40") LL female + needle free sampling port	1/2" × 3/4" × 1.5 m (60") 1-1/2" Tri-Clamp	3
FXB110976	Flexel® 200L for Palletank – TPE – Sartopore® 2 Gamma	Silicone + Clear C-Flex® 374	1/2" × 3/4" × 1.5 m (60") Sartopore® 2 Gamma, MidiCaps size 9, 0.1 µm, filter inlet 1.5" sanitary flange 2,000 cm ²	1/2" × 3/4" × 1.5 m (60") 1-1/2" Tri-Clamp	1/8" × 1/4" × 1.1 m (40") LL female + needle free sampling port	1/2" × 3/4" × 1.5 m (60") 1-1/2" Tri-Clamp	2
FXB110977	Flexel® 500L for Palletank – TPE – Sartopore® 2 Gamma	Silicone + Clear C-Flex® 374	1/2" × 3/4" × 1.5 m (60") Sartopore® 2 Gamma, MidiCaps size 0, 0.1 µm, filter inlet 1.5" sanitary flange 4,500 cm ²	1/2" × 3/4" × 1.5 m (60") 1-1/2" Tri-Clamp	1/8" × 1/4" × 1.1 m (40") LL female + needle free sampling port	1/2" × 3/4" × 1.5 m (60") 1-1/2" Tri-Clamp	2

Standard Flexel® 3D bags with TPE tubes and Sartopore® 2 Gamma MaxiCaps, 0.2 and 0.1 µm (1,000 L)

Part number	Description	Tubing	Top Port 1	Top Port 2	Top Port 3	Bottom Port 1	Qty/Box
FXB110967	Flexel® 1,000L for Palletank – TPE – Sartopore® 2 Gamma	Silicone + Clear C-Flex® 374	1/2" × 3/4" × 1.5 m (60") Sartopore® 2 Gamma, MaxiCaps size 2, 0.2 µm, filter inlet 1.5" sanitary flange 1.2 m ²	1/2" × 3/4" × 1.5 m (60") 1-1/2" Tri-Clamp	1/8" × 1/4" × 1.1 m (40") LL female + needle free sampling port	1/2" × 3/4" × 1.5 m (60") 1-1/2" Tri-Clamp	1
FXB110978	Flexel® 1,000L for Palletank – TPE – Sartopore® 2 Gamma	Silicone + Clear C-Flex® 374	1/2" × 3/4" × 1.5 m (60") Sartopore® 2 Gamma, MaxiCaps size 2, 0.1 µm, filter inlet 1.5" sanitary flange 1.2 m ²	1/2" × 3/4" × 1.5 m (60") 1-1/2" Tri-Clamp	1/8" × 1/4" × 1.1 m (40") LL female + needle free sampling port	1/2" × 3/4" × 1.5 m (60") 1-1/2" Tri-Clamp	1

Standard Flexel® 3D bags with TPE tubes and Sartopore® 2 Gamma MaxiCaps (1,000 L - High flow rate)

Part number	Description	Tubing	Top Port 1	Top Port 2	Top Port 3	Bottom Port 1	Qty/Box
FXB111153	Flexel® 1,000L for Palletank HIGH FLOW – TPE – Sartopore® 2 Gamma	Silicone + Clear C-Flex® 374	1/2" × 3/4" × 1.5 m (60") Sartopore® 2 Gamma, MaxiCaps size 2, 0.2 µm, filter inlet 1.5" sanitary flange 1.2 m ²	3/4" × 1-1/8" × 1.5 m (60") silicone 1-1/2" Tri-Clamp	1/8" × 1/4" × 1.1 m (40") LL female + needle free sampling port	3/4" × 1-1/8" × 1.5 m (60") silicone 1-1/2" Tri-Clamp	1
FXB111154	Flexel® 1,000L for Palletank HIGH FLOW – TPE – Sartopore® 2 Gamma	Silicone + Clear C-Flex® 374	1/2" × 3/4" × 1.5 m (60") Sartopore® 2 Gamma, MaxiCaps size 2, 0.1 µm, filter inlet 1.5" sanitary flange 1.2 m ²	3/4" × 1" × 1.5 m (60") 1-1/2" Tri-Clamp	1/8" × 1/4" × 1.1 m (40") LL female + needle free sampling port	3/4" × 1" × 1.5 m (60") Silicone 1-1/2" Tri-Clamp	1

Sales and Service Contacts

For further contacts, visit www.sartorius-stedim.com

Europe

Germany

Sartorius Stedim Biotech GmbH
August-Spindler-Strasse 11
37079 Goettingen
Phone +49.551.308.0

Sartorius Stedim Systems GmbH
Robert-Bosch-Strasse 5-7
34302 Guxhagen
Phone +49.5665.407.0

France

Sartorius Stedim FMT S.A.S.
ZI des Paluds
Avenue de Jouques - CS 91051
13781 Aubagne Cedex
Phone +33.442.845600

Sartorius Stedim France SAS
ZI des Paluds
Avenue de Jouques - CS 71058
13781 Aubagne Cedex
Phone +33.442.845600

Austria

Sartorius Stedim Austria GmbH
Modecenterstrasse 22
1030 Vienna
Phone +43.1.7965763.18

Belgium

Sartorius Stedim Belgium N.V.
Rue Colonel Bourg 105
1030 Bruxelles
Phone +32.2.756.06.80

Hungary

Sartorius Stedim Hungária Kft.
Kagyló u. 5
2092 Budakeszi
Phone +36.23.457.227

Italy

Sartorius Stedim Italy S.r.l.
Via dell'Antella, 76/A
50012 Antella-Bagno a Ripoli (FI)
Phone +39.055.63.40.41

Netherlands

Sartorius Stedim Netherlands B.V.
Phone +31.30.60.25.080
filtratie.nederland@sartorius-stedim.com

Poland

Sartorius Stedim Poland Sp. z o.o.
ul. Wrzesinska 70
62-025 Kostrzyn
Phone +48.61.647.38.40

Russian Federation

LLC "Sartorius Stedim RUS"
Vasilyevsky Island
5th line 70, Lit. A
199178 St. Petersburg
Phone +7.812.327.53.27

Spain

Sartorius Stedim Spain, S.A.U.
Avda. de la Industria, 32
Edificio PAYMA
28108 Alcobendas (Madrid)
Phone +34.913.586.098

Switzerland

Sartorius Stedim Switzerland AG
Ringstrasse 24 a
8317 Tagelswangen
Phone +41.52.354.36.36

U.K.

Sartorius Stedim UK Ltd.
Longmead Business Centre
Blenheim Road, Epsom
Surrey KT19 9 QQ
Phone +44.1372.737159

Ukraine

LLC "Sartorius Stedim RUS"
Post Box 440 "B"
01001 Kiev, Ukraine
Phone +380.44.411.4918

Americas

USA

Sartorius Stedim North America Inc.
5 Orville Drive, Suite 200
Bohemia, NY 11716
Toll-Free +1.800.368.7178

Argentina

Sartorius Argentina S.A.
Int. A. Ávalos 4251
B1605ECS Munro
Buenos Aires
Phone +54.11.4721.0505

Brazil

Sartorius do Brasil Ltda
Avenida Senador Vergueiro 2962
São Bernardo do Campo
CEP 09600-000 - SP- Brasil
Phone +55.11.4362.8900

Mexico

Sartorius de México, S.A. de C.V.
Libramiento Norte de Tepetzotlan s/n,
Colonia Barrio Tlacateco,
Municipio de Tepetzotlan,
Estado de México,
C.P. 54605
Phone +52.55.5562.1102
leadsmex@sartorius.com

Peru

Sartorius Peru S.A.C.
Avenue Alberto del Campo 411
Floor 12 - The Office
15076 - San Isidro, Lima
Phone +51.1.441 0158

Asia | Pacific

Australia

Sartorius Stedim Australia Pty. Ltd.
Unit 5, 7-11 Rodeo Drive
Dandenong South Vic 3175
Phone +61.3.8762.1800

China

Sartorius Stedim (Shanghai)
Trading Co., Ltd.
3rd Floor, North Wing, Tower 1
No. 4560 Jinke Road
Zhangjiang Hi-Tech Park
Pudong District
Shanghai 201210, P.R. China
Phone +86.21.6878.2300

Sartorius Stedim (Shanghai)
Trading Co., Ltd.
Beijing Branch Office
No. 33 Yu'an Road
Airport Industrial Park Zone B
Shunyi District, Beijing 101300
Phone +86.10.8042.6501

Sartorius Stedim (Shanghai)
Trading Co., Ltd.
Guangzhou Branch Office
Room 1105
Xing Guang Ying Jing Building
No. 119, Shui Yin Road
Yue Xiu District, Guangzhou 510075
Phone +86.20.3836.4193

India

Sartorius Stedim India Pvt. Ltd.
#69/2-69/3, NH 48, Jakkasandra
Nelamangala Tq
562 123 Bangalore, India
Phone +91.80.4350.5250

Japan

Sartorius Stedim Japan K.K.
4th Fl., Daiwa Shinagawa North Bldg.
8-11, Kita-Shinagawa 1-chome
Shinagawa-ku, Tokyo, 140-0001 Japan
Phone +81.3.4331.4300

Malaysia

Sartorius Stedim Malaysia Sdn. Bhd.
Lot L3-E-3B, Enterprise 4
Technology Park Malaysia
Bukit Jalil
57000 Kuala Lumpur, Malaysia
Phone +60.3.8996.0622

Singapore

Sartorius Stedim Singapore Pte. Ltd.
10 Science Park Rd
The Alpha #02-13/14
Singapore Science Park II
Singapore 117684
Phone +65.6872.3966

South Korea

Sartorius Korea Biotech Co., Ltd.
8th Floor, Solid Space B/D,
PanGyoYeok-Ro 220, BunDang-Gu
SeongNam-Si, GyeongGi-Do, 463-400
Phone +82.31.622.5700



▶ www.sartorius-stedim.com

C-Flex® is a registered trademark of
Saint-Gobain Performance Plastics Corporation.