



Standard Scalable Flexel® 3D Bioprocessing Bags



Description

Standard Scalable Flexel® 3D Bioprocessing Bags are designed for processing and storage of small volume biopharmaceutical solutions. They provide a single-use alternative to traditional glass, stainless steel and rigid plastic carboys in a large variety of applications. With a volume range of 5 L to 50 L, the Standard Scalable Flexel® 3D Bags are routinely used in bio research, process development and in small volume biomanufacturing. These bags are manufactured with very high quality standards for applications requiring remarkable levels of robustness, reliability and security.

Scaling-up operations to very large volume (up to 3000 L) is straightforward starting with Scalable Flexel® 3D Bags as they are manufactured with the same S40 film, same 3D bag technology and same port technology as the very large volume Flexel® 3D Bags. Standard Scalable Flexel® 3D Bags are available with an extensive range of accessories (trays, racks, Palletank, reusable handle, BioWelder®, BioSealer®) for a rapid and functional deployment of a complete single-use engineered liquid handling and storage solutions in your process.

Cost reduction and risk reduction

Single-use systems used in biopharmaceutical manufacturing improve process safety as they reduce the risk of cross contamination from batch-to-batch and product-to-product. Costly and time consuming CIP & SIP operations are minimized. This results not only in significant cost savings within the entire manufacturing process, but also in the optimization of capacity utilization.

Applications

Standard Scalable Flexel® 3D Bioprocessing Bags are constructed from S40, a multi-layer film that provides a strong structure with low gas permeability and high chemical resistance for the safe processing of a wide range of biopharmaceutical fluids in a variety of applications.

Typical applications requiring robust container storage include:

- Buffers and cell culture media filtration and storage
- Product harvest
- Product pooling
- Fraction collection
- Viral inactivation & filtration
- Bulk intermediate filtration & hold
- Final product storage

Features

Multiple manufacturing sites

All connections extensively qualified

Full compliance with ISO11137

Standard design

Various bag size

Designed to fit standard tray and Palletank

Scalable S40 film

Benefits

High security of supply

Safe and robust

Highest sterility assurance level

Most designs available from stock

High flexibility

Space saving containment systems

Process scalability with the same product contact materials from 5 L to 3000 L

Flexibility

Standard Scalable Flexel® 3D Bags are available for a fast implementation in a customer process, using pre-defined bag configurations. The bag configurations may be readily customized to optimize the integration into a specific application and process using pre-qualified and off the shelf OPUS components. Sartorius Stedim Biotech supports user design with a comprehensive support program that ensures successful design implementation of Single-Use Manufacturing.

Easy Implementation

Standard Scalable Flexel® 3D Bags are available with volume of 5 L, 10 L, 20 L and 50 L. They are supplied sterilized and ready to use for easy and convenient process implementation. A 50 L configuration with thermoweldable TPE tubing is provided for flexible incorporation into your process. Sterile connection and disconnection devices like the BioWelder® and the BioSealer® can be used to allow safe connections and disconnections from and to another process step.

A series of associated systems such as reusable handle, plastic and stainless steel Trays, Racks and Pallettanks facilitates bag handling, transportation and storage.

Security of Supply

Sartorius Stedim Biotech has established multiple manufacturing sites with consistent industrial processes. The expertise of designing single-use solutions combined with collaborative supplier management and customer demand planning assures a state of the art product supported by a robust supply chain that can cope with strong market growth.

Validation

Standard Scalable Flexel® 3D Bags have been qualified applying the most comprehensive and innovative test regimes. Biological, chemical and physical tests combined with extensive extractable testing provide users of Standard Scalable Flexel® 3D Bags with data representing a wide range of process fluids in a variety of processing conditions.

Full compliance with ISO11137 allows for a validated claim of sterility on all Sartorius Stedim Biotech single use products with a sterility assurance level of 10^{-6} over the shelf life.

Quality Assurance

Sartorius Stedim Biotech Quality Systems for single-use products follow applicable ISO and FDA regulations. Design, Manufacture and Sterilization processes are conducted under conditions that mirror biopharmaceutical operations and meet cGMP requirements. Standard Scalable Flexel® 3D Bags are tested for compliance to:

- USP <87>: Biological reactivity tests, in Vitro
- USP <88>: Biological reactivity tests, in Vivo
- USP <661>: Tests for plastic
- USP <788> and E.P. 2.9.19: Particulate matters in injections
- USP<85> and E.P.2.6.14: Bacterial endotoxins
- ISO 11737: Bioburden
- ISO 11137: Sterilization of Medical Devices

Supply Chain

The majority of Standard Scalable Flexel® 3D Bag systems are available from stock.

Specifications

1. Standard Scalable Flexel® 3D Bags

Bag Chamber	Multiple layer film construction, including EVOH gas barrier layer and a PE contact layer
Tubing	Silicone, TPE
Fittings	MPC and MPX Male & Female Couplings, Female Luer Lock, Needle-less sampling port
Volumes	5 L, 10 L, 20 L and 50 L
Number of Ports	3 ports (5 L, 10 L & 20 L) 3 top ports and 3 bottom ports (50 L)
Sterilization	By Gamma irradiation



2. Reusable Handle

Description	Removable handle for Flexel® 3D 5-10-20 L
Material of Construction	Silicone PA Coated Steel



3. Plastic Trays

Material of Construction	Polypropylene
Tray Capacity	5 L, 10 L and 20 L
Lids available for	5 L, 10 L
Stackable	Yes

Dimensions	
5 L	400 × 300 × 175 mm – (15.8 × 11.8 × 6.9")
10 L	600 × 400 × 175 mm – (23.63 × 15.8 × 6.9")
20 L	1000 × 400 × 214 mm – (39.4 × 11.8 × 8.4")

Weight of Tray Bag & Lid (Bag filled to nominal volume)	
5 L	6.2 Kg – 13.7 lbs
10 L	12.4 Kg – 27.3 lbs
20 L	24.1 Kg – 53.0 lbs



4. Stainless Steel Trays

Material	304L Stainless Steel
Surface Finish	Bead Blasted
Tray Capacity	5 L (for Flexel® 3D 5 L) 10 L (for Flexel® 3D 10 L & 20 L)
Lid available for	5 L, 10 L

Dimensions	
5 L	475 × 330 × 117 mm – (18.7" × 12.9" × 4.6")
10 L	760 × 330 × 117 mm – (29.9" × 12.9" × 4.6")

Weight of Tray Bag & Lid (Bag filled to nominal volume)	
5 L	8.6 Kg (18.9 lbs)
10 L	15.7 Kg (34.5 lbs)
20 L in 10 L Tray	25.7 Kg (56.5 lbs)



5. Rack System

(Please consult the Flexboy® Tray and Rack System Datasheet)

	Base Module 1	Additional Module 2	Full System
Material	304 Stainless Steel	304 Stainless Steel	304 Stainless Steel
Surface Finish	Bead Blasted	Bead Blasted	Bead Blasted
Weight	30.5 Kg (67.1 Lbs)	26 Kg (57.2 Lbs)	82.5 Kg (181.5 Lbs)
Stainless Steel Tray Compartments	4 Places for 5 or 10 L Stainless Steel Trays – (2 Places for 20L Stainless Steel Trays)	8 Places for 5 or 10 L Stainless Steel Trays – (4 Places for 20 L Stainless Steel Trays)	20 Places for 5 or 10 L Stainless Steel Trays – (10 Places for 20 L Stainless Steel Trays)
Plastic Tray Compartments	2 Places for 10L Plastic Trays or 4 Places for 5L Plastic Trays	4 Places for 10L Plastic Trays or 8 Places for 5L Plastic Trays	10 Places for 10L Plastic Trays or 20 Places for 5L Plastic Trays
Peristaltic Pumps Compartment	Yes – Dimensions: 887 × 775 × 300 mm (34.9" × 30.5" × 11.8")	No	Yes – Dimensions: 887 × 775 × 300 mm (34.9" × 30.5" × 11.8")
Wheels	4 Swivel Wheels (Two With Brakes)	–	4 Swivel Wheels (Two With Brakes)
Additional Features	Built In Wheels (Non Autoclavable)	–	Full = 1 Base + 2 Additional Modules

6. Palletank for Storage

Description	Palletank 50 L for storage stackable
Bag Volume	50 L
Construction Material	304L Stainless Steel
Surface Finishing	Bead Blasted
Dimensions (Approx.)	490 × 490 × 750 mm (19.3 × 19.3 × 29.5")
Sliding Gate	1
Stackability (static)	Yes (3)
Weight (Approx.)	24 kg (52.8 lb)

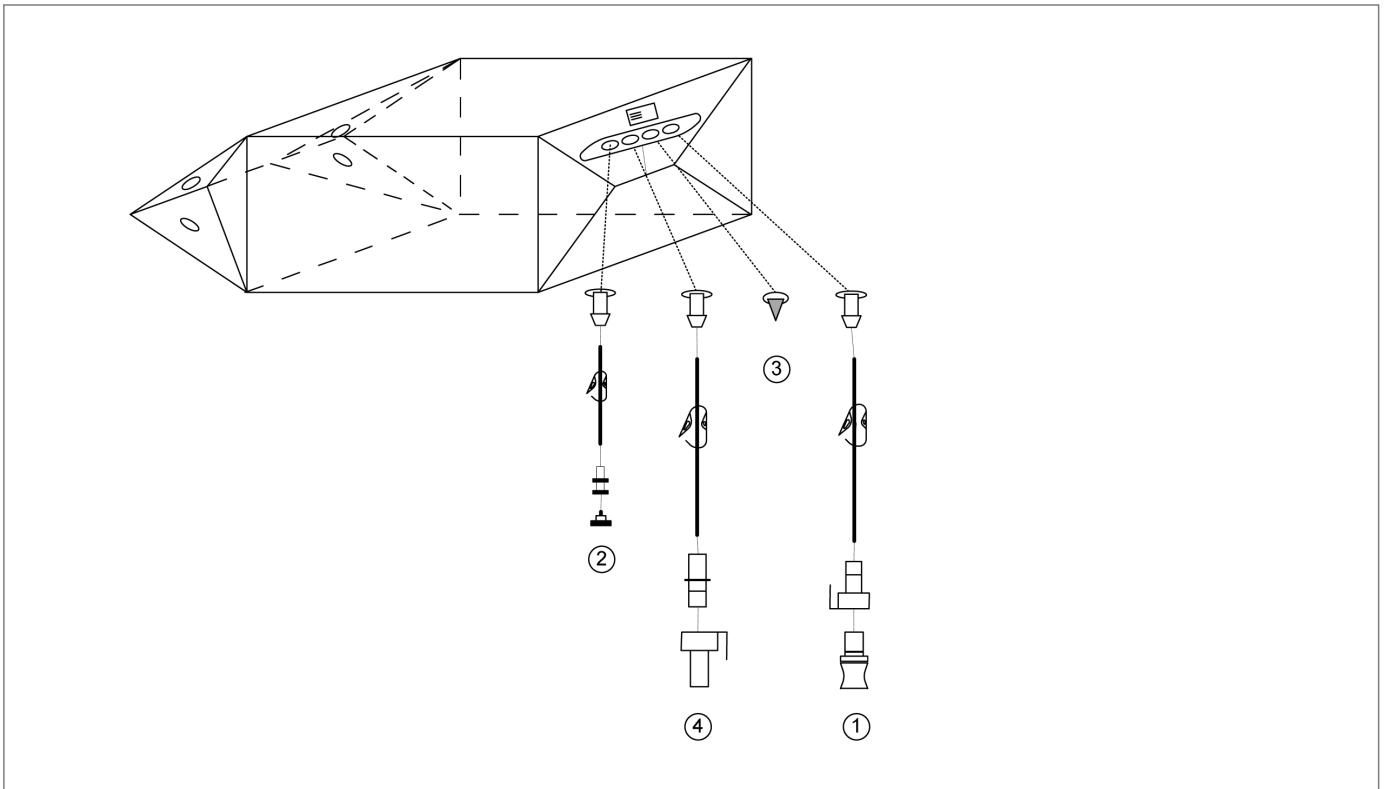
Accessories

Description	Dolly for Palletank 50 L for storage
Weight (Approx.)	7 kg (15.4 lb)

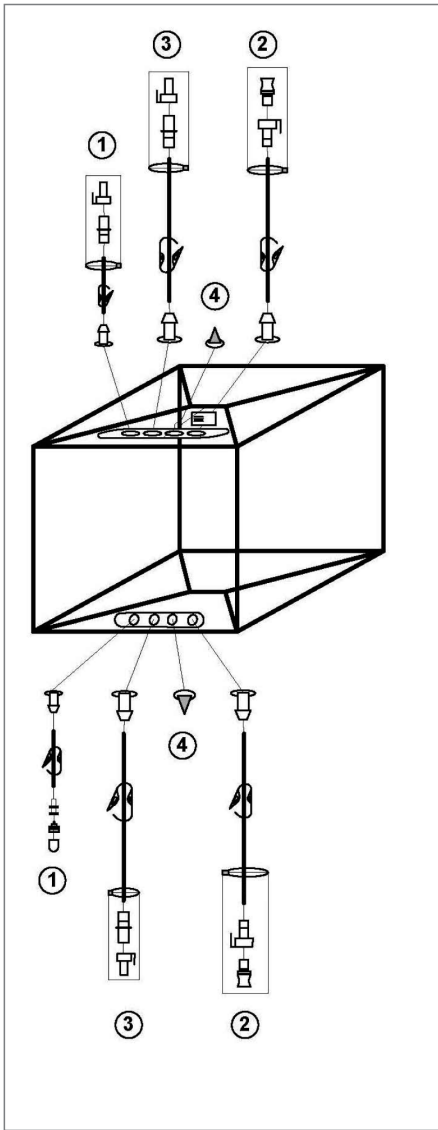


Ordering Information

1. Scalable Flexel® 3D Bioprocessing Bags



Part Number	Description	Tubing	Bag Port 1	Bag Port 2	Bag Port 3	Bag Port 4	Qty/box
FXB112850	STD Flexel® 5 L	Silicone	3/8" × 5/8" × 150 mm (6") 3/8" MPC female + plug	1/4" × 3/8" × 100 mm (4") LL female + plug	Plug	3/8" × 5/8" × 150 mm (6") 3/8" MPC male + cap	12
FXB112852	STD Flexel® 10 L	Silicone	3/8" × 5/8" × 150 mm (6") 3/8" MPC female + plug	1/4" × 3/8" × 100 mm (4") LL female + plug	Plug	3/8" × 5/8" × 150 mm (6") 3/8" MPC male + cap	12
FXB112853	STD Flexel® 20 L	Silicone	3/8" × 5/8" × 150 mm (6") 3/8" MPC female + plug	1/4" × 3/8" × 100 mm (4") LL female + plug	Plug	3/8" × 5/8" × 150 mm (6") 3/8" MPC male + cap	12



Part Number	Description	Tubing	Top Port 1	Top Port 2	Top Port 3	Top Port 4	Qty/box
FXB113153	STD Flexel® Cubical 50 L	Silicone Et Clear C-Flex® 374	1/4" × 3/8" × 10 cm (4") + male MPC + sealing cap	1/2" × 3/4" × 50 cm (20") + female MPX + sealing cap	1/2" × 3/4" × 50 cm (20") + male MPX + sealing cap	Plug	4
			Bottom Port 1	Bottom Port 2	Bottom Port 3	Bottom Port 4	
			1/4" × 3/8" × 10 cm (4") + LL female + needle free sampling port	1/2" × 3/4" × 50 cm (20") + female MPX + sealing cap	1/2" × 3/4" × 50 cm (20") + male MPX + sealing cap	Plug	

* C-Flex® is a registered trademark of Saint-Gobain Performance Plastics Corporation.

2. Reusable Handle

Part Number	Description	Qty/box
FXA113036	Removable Handle For Flexel [®] 3D 5–10–20 L	3

3. Plastic Trays

Part Number	Description	Qty/box
FFA113141	Plastic Tray Flexel [®] Flexboy [®] 5 L + Lid	1
FFA113142	Plastic Tray Flexel [®] Flexboy [®] 10 L - 20 L + Lid	1
FFA113143	Plastic Tray Flexel [®] 20 L	1

4. Stainless Steel Trays

Part Number	Description	Qty/box
FFA102705	Flexboy [®] Tray + Lid 5 L	1
FFA102715	Flexboy [®] Tray + Lid 10 L	1

5. Rack System

Part Number	Description	Qty/box
FFA102707	Flexboy [®] Rack Base Module 1	1
FFA102714	Flexboy [®] Rack Module 2	1

6. Palletank for storage 50 L

Part Number	Description	Qty/box
FXC113946	Std Palletank Storage 50 L (Stackable)	1
FXA113988	Std Palletank Accessory Dolly 50 L (Storage)	1

Sartorius Stedim Biotech GmbH
August-Spindler-Strasse 11
37079 Goettingen, Germany
Phone +49.551.308.0
www.sartorius-stedim.com

USA Toll-Free +1.800.368.7178
Argentina +54.11.4721.0505
Brazil +55.11.4362.8900
Mexico +52.55.5562.1102
UK +44.1372.737159
France +33.442.845600
Italy +39.055.63.40.41
Spain +34.913.586.098
Russian Federation +7.812.327.53.27
Japan +81.3.4331.4300
China +86.21.6878.2300

Specifications subject to change without notice.
Copyright Sartorius Stedim Biotech GmbH.
Printed in the EU on paper bleached without chlorine.
Publication No.: SPL2006-e180204
Order No.: 85032-535-90
Ver. 02 | 2018