



## Standard Flexel® 3D bioprocessing bags for Drums (US and Canada)



### Description

Flexel® 3D standard bags are designed for processing, storage and transport of large volume biopharmaceutical solutions in drums. They provide a single-use alternative to traditional stainless steel vessels in a large variety of applications.

### Cost reduction and Risk reduction

Single-use Systems used in biopharmaceutical manufacturing improve process safety as they reduce the risk of cross contamination from batch-to-batch and product-to-product. Costly and time consuming CIP & SIP operations are minimized. This results not only in significant cost savings within the entire manufacturing process, but also in the optimization of capacity utilization.

### Applications

The multi-layer film construction of different materials provides a strong structure with low gas permeability and high chemical resistance for the safe processing of a wide range of biopharmaceutical fluids in a variety of applications such as:

- Buffers and Media filtration & storage
- Bulk harvest
- Product pooling
- Fraction collection
- Sample collection
- Bulk intermediate filtration & hold
- Final product storage and transport

### Flexibility

Standard Flexel® bags for drums are available as stand-alone bags with Silicone tubing, stand-alone bags with C-Flex® tubing and Filter & Bag assemblies incorporating a variety of filter and bag sizes allowing easy adoption to process volume and media. Multiple configurations that also integrate thermoweldable TPE tubing are provided for flexible incorporation into your process. Thus, sterile connection and disconnection devices like the BioWelder® and the BioSealer® can be used to allow safe connections and disconnections from and to another process step.

Female luer fittings with a needle free sampling port may be used for easy and convenient sampling, quick connects may be attached directly or adapted to a variety of connections and tri-clamps that are widely used in a production environment assure maximum flexibility.

### Security of Supply

Sartorius Stedim Biotech has established multiple manufacturing sites with consistent industrial processes. The expertise of designing Single-Use solutions combined with collaborative supplier management and customer demand planning assures a state of the art product supported by a robust supply chain that can cope with strong market growth.

Features	Benefits
Multiple manufacturing sites	High security of supply
All connections extensively qualified	Safe and robust
Full compliance with ISO11137	Highest sterility assurance level
Standard design	Most designs available from stock
Various bag & filter sizes	High flexibility

### Specifications

#### Standard Flexel® 3D for Drum

Bag Chamber:	Multiple layer film construction, including EVOH gas barrier layer, ULDPPE Contact Layer
Tubing:	Silicone, TPE
Fittings:	MPX Couplings, Female Luer Lock, MPC Male Coupling, Triclamp, Needle free sampling port
Filters:	Sartopore® 2 Gamma Capsule
Volumes:	50 L – 560 L
Sterilization:	by Gamma Irradiation

**Validation**

Flexel® bags have been qualified applying the most comprehensive and innovative test regimes. Biological, chemical and physical tests combined with extensive extractable testing provide users of Flexel® with data representing the widest range of process fluids in a variety of processing conditions.

Full compliance with ISO11137 allows for a validated claim of sterility on all Sartorius Stedim Biotech single use products with a sterility assurance level of  $10^{-6}$  over the shelf life.

**Quality Assurance**

Sartorius Stedim Biotech Quality Systems for Single Use Products follow applicable ISO and FDA regulations for Medical Devices. Design, Manufacture and Sterilization processes are conducted under conditions that mirror biopharmaceutical operations and meet cGMP requirements.

Flexel® 3D bags are tested for compliance to:

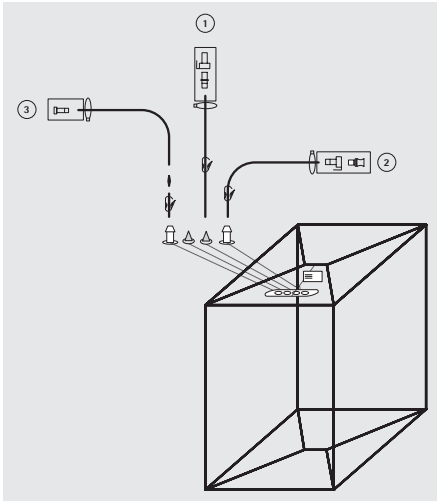
- USP <87>: Biological reactivity tests, in Vitro
- USP <88>: Biological reactivity tests, in Vivo
- USP <661>: Tests for plastic
- USP <788> and E.P. 2.9.19: Particulate
- ISO 11737: Bioburden
- ISO 11137: Sterilization of Medical devices

**Supply Chain**

The majority of Standard Flexel® 3D bags for drum systems are available from stock.

## Ordering information

### 1. Standard Flexel® 3D bags for drum with silicone tubes

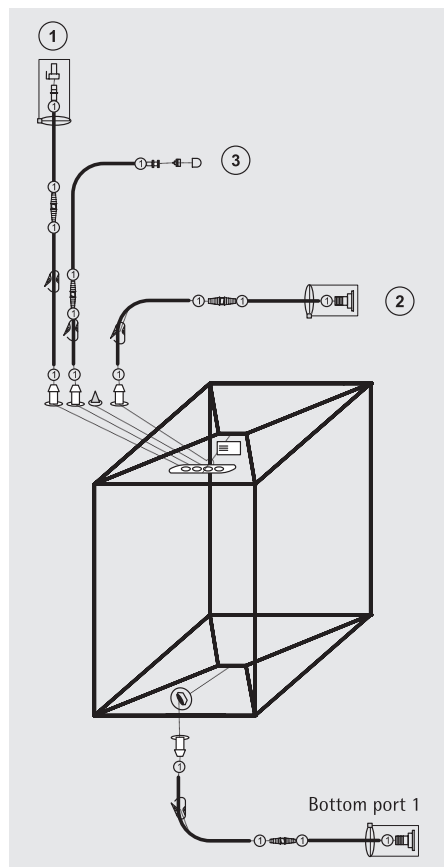


Part number	Description	Tubing	Top port 1	Top port 2	Top port 3	Top port 4	Qty/Box
FXB207614	Flexel® 50L for drum - Silicone	Silicone	1/2" × 3/4" × 0.75 m (30"), 1/2" MPX male + sealing cap	1/2" × 3/4" × 0.75 m (30"), 1/2" MPX female + sealing plug	1/8" × 1/4" × 0.45 (30") TPE, sealing plug	Plug	10
FXB207615	Flexel® 100L for drum - Silicone	Silicone	1/2" × 3/4" × 0.75 m (30"), 1/2" MPX male + sealing cap	1/2" × 3/4" × 0.75 m (30"), 1/2" MPX female + sealing plug	1/8" × 1/4" × 0.45 (30") TPE, sealing plug	Plug	10
FXB207616	Flexel® 200L for drum - Silicone	Silicone	1/2" × 3/4" × 0.75 m (30"), 1/2" MPX male + sealing cap	1/2" × 3/4" × 0.75 m (30"), 1/2" MPX female + sealing plug	1/8" × 1/4" × 0.45 (30") TPE, sealing plug	Plug	5
FXB207630	Flexel® 560L for drum - Silicone	Silicone	1/2" × 3/4" × 0.75 m (30"), 1/2" MPX male + sealing cap	1/2" × 3/4" × 0.75 m (30"), 1/2" MPX female + sealing plug	1/8" × 1/4" × 0.45 (30") TPE, sealing plug	Plug	4

## Ordering information

### 2. Standard Flexel® 3D bags for drum with silicone & TPE tubes

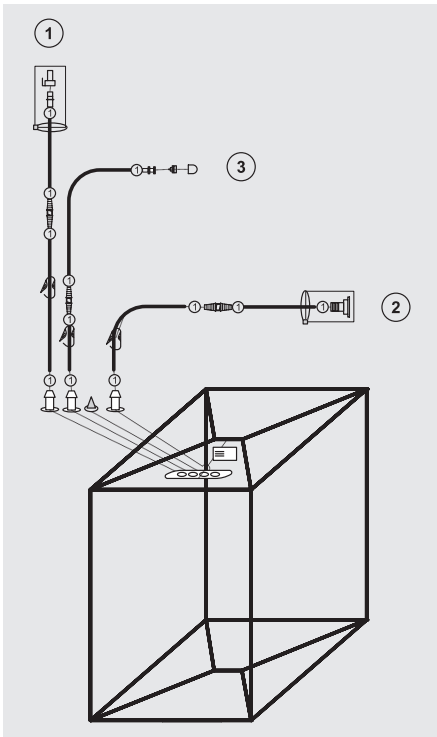
#### 2.1. Standard Flexel® 3D bags for drum with silicone & TPE tubes with side bottom drain



Part Number	Description	Tubing	Top Port 1	Top Port 2	Top Port 3	Bottom Port 1	Qty/Box
FXB110917	Flexel® 50L for Drum - TPE	Silicone + Clear C-Flex® 374	1/2" x 3/4" x 1.5 m (60") 1/2" MPX male + sealing cap	1/2" x 3/4" x 1.5 m (60") 1-1/2" Tri-Clamp	1/8" x 1/4" x 1.1 m (40") LL female + needle free sampling port	1/2" x 3/4" x 1.5 m (60") 1-1/2" Tri-Clamp	5
FXB110919	Flexel® 100L for Drum - TPE	Silicone + Clear C-Flex® 374	1/2" x 3/4" x 1.5 m (60") 1/2" MPX male + sealing cap	1/2" x 3/4" x 1.5 m (60") 1-1/2" Tri-Clamp	1/8" x 1/4" x 1.1 m (40") LL female + needle free sampling port	1/2" x 3/4" x 1.5 m (60") 1-1/2" Tri-Clamp	5
FXB110920	Flexel® 200L for Drum - TPE	Silicone + Clear C-Flex® 374	1/2" x 3/4" x 1.5 m (60") 1/2" MPX male + sealing cap	1/2" x 3/4" x 1.5 m (60") 1-1/2" Tri-Clamp	1/8" x 1/4" x 1.1 m (40") LL female + needle free sampling port	1/2" x 3/4" x 1.5 m. (60") 1-1/2" Tri-Clamp	5
FXB111626	Flexel® 300L for Drum - TPE	Silicone + Clear C-Flex® 374	1/2" x 3/4" x 1.5 m (60") 1/2" MPX male + sealing cap	1/2" x 3/4" x 1.5 m (60") 1-1/2" Tri-Clamp	1/8" x 1/4" x 1.1 m (40") LL female + needle free sampling port	1/2" x 3/4" x 1.5 m (60") 1-1/2" Tri-Clamp	5
FXB111631	Flexel® 370L for Drum - TPE	Silicone + Clear C-Flex® 374	1/2" x 3/4" x 1.5 m (60") 1/2" MPX male + sealing cap	1/2" x 3/4" x 1.5 m (60") 1-1/2" Tri-Clamp	1/8" x 1/4" x 1.1 m (40") LL female + needle free sampling port	1/2" x 3/4" x 1.5 m (60") 1-1/2" Tri-Clamp	5
FXB110921	Flexel® 560L for Drum - TPE	Silicone + Clear C-Flex® 374	1/2" x 3/4" x 1.5 m (60") 1/2" MPX male + sealing cap	1/2" x 3/4" x 1.5 m (60") 1-1/2" Tri-Clamp	1/8" x 1/4" x 1.1 m (40") LL female + needle free sampling port	1/2" x 3/4" x 1.5 m (60") 1-1/2" Tri-Clamp	2

## Ordering information

### 2.2. Standard Flexel® 3D bags for drum with silicone & TPE tubes

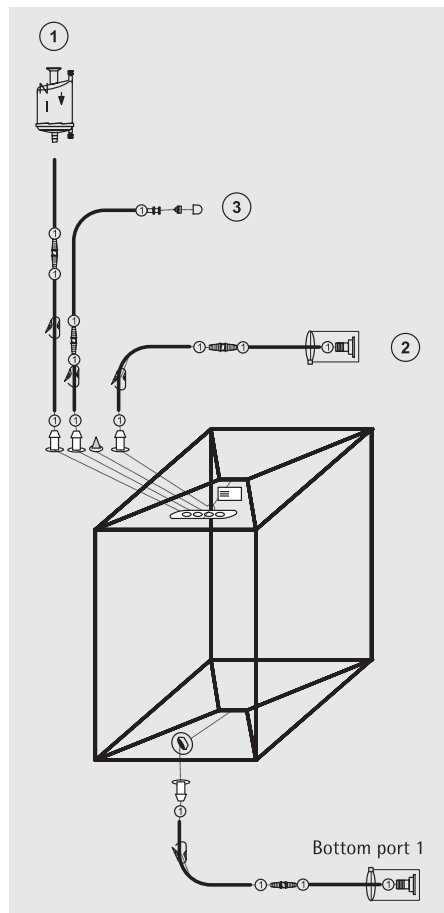


Part Number	Description	Tubing	Top Port 1	Top Port 2	Top Port 3	Bottom Port 1	Qty/Box
FXB110922	Flexel® 50L for Drum - TPE	Silicone + Clear C-Flex® 374	1/2" x 3/4" x 1.5 m (60") 1/2" MPX male + sealing cap	1/2" x 3/4" x 1.5 m (60") 1-1/2" Tri-Clamp	1/8" x 1/4" x 1.1 m (40") LL female + needle free sampling port	No bottom drain	5
FXB110923	Flexel® 100L for Drum - TPE	Silicone + Clear C-Flex® 374	1/2" x 3/4" x 1.5 m (60") 1/2" MPX male + sealing cap	1/2" x 3/4" x 1.5 m (60") 1-1/2" Tri-Clamp	1/8" x 1/4" x 1.1 m (40") LL female + needle free sampling port	No bottom drain	5
FXB110924	Flexel® 200L for Drum - TPE	Silicone + Clear C-Flex® 374	1/2" x 3/4" x 1.5 m (60") 1/2" MPX male + sealing cap	1/2" x 3/4" x 1.5 m (60") 1-1/2" Tri-Clamp	1/8" x 1/4" x 1.1 m (40") LL female + needle free sampling port	No bottom drain	5

## Ordering information

### 3. Standard Flexel® 3D bags for drum with silicone & TPE tubes & Sartopore® 2 Gamma MidiCaps

#### 3.1. Standard Flexel® 3D bags for drum with silicone & TPE tubes with side bottom drain & Sartopore® 2 Gamma MidiCaps 0.2 µm (50 L to 370 L)



Part Number	Description	Tubing	Top Port 1	Top Port 2	Top Port 3	Bottom Port 1	Qty/Box
FXB110954	Flexel® 50L for Drum - TPE - Sartopore® 2 Gamma	Silicone + Clear C-Flex® 374	1/2" × 3/4" × 1.5 m (60") Sartopore® 2 Gamma, MidiCaps size 7, 0.2 µm; filter inlet 1.5" sanitary flange 500 cm <sup>2</sup>	1/2" × 3/4" × 1.5 m (60") 1-1/2" Tri-Clamp	1/8" × 1/4" × 1.1 m (40") LL female + needle free sampling port	1/2" × 3/4" × 1.5 m (60") 1-1/2" Tri-Clamp	5
FXB110958	Flexel® 100L for Drum - TPE - Sartopore® 2 Gamma	Silicone + Clear C-Flex® 374	1/2" × 3/4" × 1.5 m (60") Sartopore® 2 Gamma, MidiCaps size 8, 0.2 µm; filter inlet 1.5" sanitary flange 1000 cm <sup>2</sup>	1/2" × 3/4" × 1.5 m (60") 1-1/2" Tri-Clamp	1/8" × 1/4" × 1.1 m (40") LL female + needle free sampling port	1/2" × 3/4" × 1.5 m (60") 1-1/2" Tri-Clamp	5
FXB110960	Flexel® 200L for Drum - TPE - Sartopore® 2 Gamma	Silicone + Clear C-Flex® 374	1/2" × 3/4" × 1.5 m (60") Sartopore® 2 Gamma, MidiCaps size 9, 0.2 µm; filter inlet 1.5" sanitary flange 2000 cm <sup>2</sup>	1/2" × 3/4" × 1.5 m (60") 1-1/2" Tri-Clamp	1/8" × 1/4" × 1.1 m (40") LL female + needle free sampling port	1/2" × 3/4" × 1.5 m (60") 1-1/2" Tri-Clamp	5

## Ordering information

### 3.1. Standard Flexel® 3D bags for drum with silicone & TPE tubes with side bottom drain & Sartopore® 2 Gamma MidiCaps 0.2 µm (50 L to 370 L)

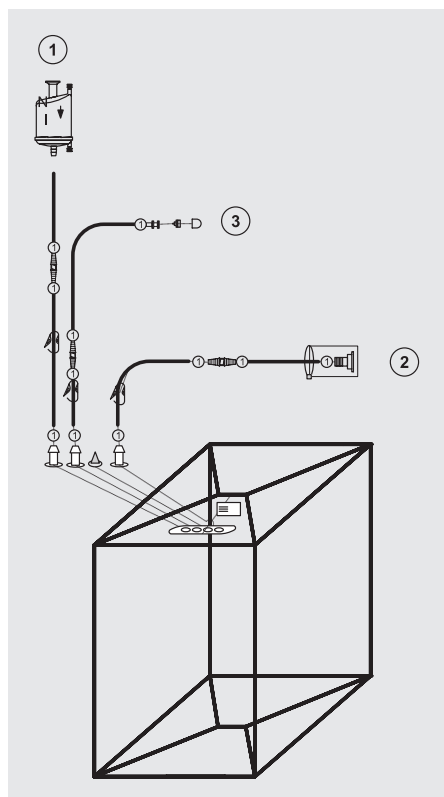
Part Number	Description	Tubing	Top Port 1	Top Port 2	Top Port 3	Bottom Port 1	Qty/Box
FXB111629	Flexel® 300L for Drum – TPE – Sartopore® 2 Gamma	Silicone + Clear C-Flex® 374	1/2" × 3/4" × 1.5 m (60") filter inlet 1.5" sanitary flange Sartopore® 2 Gamma, MidiCaps size 9, 0.2 µm, 2000 cm <sup>2</sup>	1/2" × 3/4" × 1.5 m (60") 1-1/2" Tri-Clamp	1/8" × 1/4" × 1.1 m (40") LL female + needle free sampling port	1/2" × 3/4" × 1.5 m (60") 1-1/2" Tri-Clamp	2
FXB111633	Flexel® 370L for Drum – TPE – Sartopore® 2 Gamma	Silicone + Clear C-Flex® 374	1/2" × 3/4" × 1.5 m (60") filter inlet 1.5" sanitary flange Sartopore® 2 Gamma, MidiCaps size 9, 0.2 µm, 2000 cm <sup>2</sup>	1/2" × 3/4" × 1.5 m (60") 1-1/2" Tri-Clamp	1/8" × 1/4" × 1.1 m (40") LL female + needle free sampling port	1/2" × 3/4" × 1.5 m (60") 1-1/2" Tri-Clamp	2

### 3.2. Standard Flexel® 3D bags for drum with silicone & TPE tubes with side bottom drain & Sartopore® 2 Gamma MidiCaps 0.1 µm (50 L to 370 L)

Part Number	Description	Tubing	Top Port 1	Top Port 2	Top Port 3	Bottom Port 1	Qty/Box
FXB110969	Flexel® 50L for Drum – TPE – Sartopore® 2 Gamma	Silicone + Clear C-Flex® 374	1/2" × 3/4" × 1.5 m (60") filter inlet 1.5" sanitary flange Sartopore® 2 Gamma, MidiCaps size 7, 0.1 µm, 500 cm <sup>2</sup>	1/2" × 3/4" × 1.5 m (60") 1-1/2" Tri-Clamp	1/8" × 1/4" × 1.1 m (40") LL female + needle free sampling port	1/2" × 3/4" × 1.5 m (60") 1-1/2" Tri-Clamp	5
FXB110971	Flexel® 100L for Drum – TPE – Sartopore® 2 Gamma	Silicone + Clear C-Flex® 374	1/2" × 3/4" × 1.5 m (60") filter inlet 1.5" sanitary flange Sartopore® 2 Gamma, MidiCaps size 8, 0.1 µm, 1000 cm <sup>2</sup>	1/2" × 3/4" × 1.5 m (60") 1-1/2" Tri-Clamp	1/8" × 1/4" × 1.1 m (40") LL female + needle free sampling port	1/2" × 3/4" × 1.5 m (60") 1-1/2" Tri-Clamp	5
FXB110973	Flexel® 200L for Drum – TPE – Sartopore® 2 Gamma	Silicone + Clear C-Flex® 374	1/2" × 3/4" × 1.5 m (60") filter inlet 1.5" sanitary flange Sartopore® 2 Gamma, MidiCaps size 9, 0.1 µm, 2000 cm <sup>2</sup>	1/2" × 3/4" × 1.5 m (60") 1-1/2" Tri-Clamp	1/8" × 1/4" × 1.1 m (40") LL female + needle free sampling port	1/2" × 3/4" × 1.5 m (60") 1-1/2" Tri-Clamp	5
FXB111630	Flexel® 300L for Drum – TPE – Sartopore® 2 Gamma	Silicone + Clear C-Flex® 374	1/2" × 3/4" × 1.5 m (60") filter inlet 1.5" sanitary flange Sartopore® 2 Gamma, MidiCaps size 9, 0.1 µm, 2000 cm <sup>2</sup>	1/2" × 3/4" × 1.5 m (60") 1-1/2" Tri-Clamp	1/8" × 1/4" × 1.1 m (40") LL female + needle free sampling port	1/2" × 3/4" × 1.5 m (60") 1-1/2" Tri-Clamp	2
FXB111634	Flexel® 370L for Drum – TPE – Sartopore® 2 Gamma	Silicone + Clear C-Flex® 374	1/2" × 3/4" × 1.5 m (60") filter inlet 1.5" sanitary flange Sartopore® 2 Gamma, MidiCaps size 9, 0.1 µm, 2000 cm <sup>2</sup>	1/2" × 3/4" × 1.5 m (60") 1-1/2" Tri-Clamp	1/8" × 1/4" × 1.1 m (40") LL female + needle free sampling port	1/2" × 3/4" × 1.5 m (60") 1-1/2" Tri-Clamp	2

## Ordering information

### 3.3. Standard Flexel® 3D bags for drum with silicone & TPE tubes & Sartopore® 2 Gamma MidiCaps 0.2 µm (50 L to 200 L)



Part Number	Description	Tubing	Top Port 1	Top Port 2	Top Port 3	Bottom Port 1	Qty/Box
FXB110955	Flexel® 50L - TPE - Sartopore® 2 Gamma	Silicone + Clear C-Flex® 374	1/2" × 3/4" × 1.5 m (60") Sartopore® 2 Gamma, MidiCaps size 7, 0.2 µm; filter inlet 1.5" sanitary flange 500 cm <sup>2</sup>	1/2" × 3/4" × 1.5 m (60") 1-1/2" Tri-Clamp	1/8" × 1/4" × 1.1 m (40") LL female + needle free sampling port	No bottom drain	5
FXB110959	Flexel® 100L - TPE - Sartopore® 2 Gamma	Silicone + Clear C-Flex® 374	1/2" × 3/4" × 1.5 m (60") Sartopore® 2 Gamma, MidiCaps size 8, 0.2 µm; filter inlet 1.5" sanitary flange 1000 cm <sup>2</sup>	1/2" × 3/4" × 1.5 m (60") 1-1/2" Tri-Clamp	1/8" × 1/4" × 1.1 m (40") LL female + needle free sampling port	No bottom drain	5
FXB110961	Flexel® 200L - TPE - Sartopore® 2 Gamma	Silicone + Clear C-Flex® 374	1/2" × 3/4" × 1.5 m (60") Sartopore® 2 Gamma, MidiCaps size 9, 0.2 µm; filter inlet 1.5" sanitary flange 2000 cm <sup>2</sup>	1/2" × 3/4" × 1.5 m (60") 1-1/2" Tri-Clamp	1/8" × 1/4" × 1.1 m (40") LL female + needle free sampling port	No bottom drain	5



## Ordering information

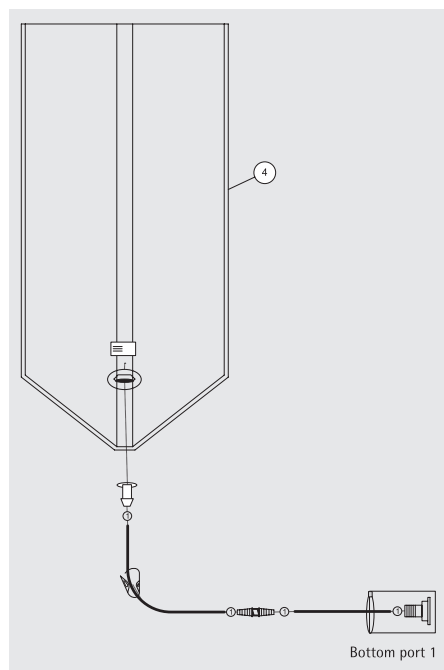
### 3.3. Standard Flexel® 3D bags for drum with silicone & TPE tubes & Sartopore® 2 Gamma MidiCaps 0.1 µm (50 L to 200 L)

Part Number	Description	Tubing	Top Port 1	Top Port 2	Top Port 3	Bottom Port 1	Qty/Box
FXB110970	Flexel® 50L – TPE – Sartopore® 2 Gamma	Silicone + Clear C-Flex® 374	1/2" × 3/4" × 1.5 m (60") Sartopore® 2 Gamma, MidiCaps size 7, 0.1 µm; filter inlet 1.5" sanitary flange 500 cm <sup>2</sup>	1/2" × 3/4" × 1.5 m (60") 1-1/2" Tri-Clamp	1/8" × 1/4" × 1.1 m (40") LL female + needle free sampling port	No bottom drain	5
FXB110972	Flexel® 100L – TPE – Sartopore® 2 Gamma	Silicone + Clear C-Flex® 374	1/2" × 3/4" × 1.5 m (60") Sartopore® 2 Gamma, 0.1 µm; filter inlet 1.5" sanitary flange 1000 cm <sup>2</sup>	1/2" × 3/4" × 1.5 m (60") 1-1/2" Tri-Clamp MidiCaps size 8,	1/8" × 1/4" × 1.1 m (40") LL female sampling port	No bottom drain  + needle free	5
FXB110974	Flexel® 200L – TPE – Sartopore® 2 Gamma	Silicone + Clear C-Flex® 374	1/2" × 3/4" × 1.5 m (60") Sartopore® 2 Gamma, MidiCaps size 9, 0.1 µm; filter inlet 1.5" sanitary flange 2000 cm <sup>2</sup>	1/2" × 3/4" × 1.5 m (60") 1-1/2" Tri-Clamp	1/8" × 1/4" × 1.1 m (40") LL female + needle free sampling port	No bottom drain	5

## Ordering information

### 4. Standard Flexel® Tank Liners for drum

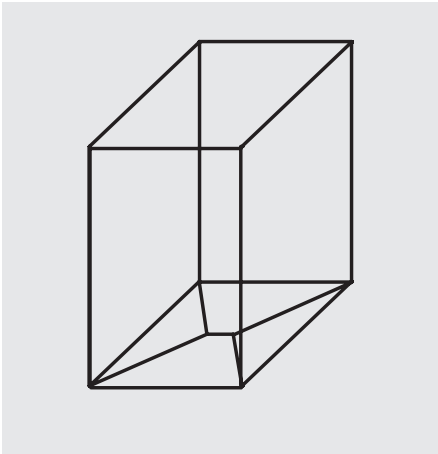
#### 4.1. Standard Sterile Flexel® tank Liners for drum with side bottom drain



Part Number	Description	Tubing	Bottom Port 1	Qty/Box
FXB110931	Flexel® 30L liner – TPE	Silicone + Clear C-Flex® 374	1/2" × 3/4" × 1.5 m (60") 1-1/2" Tri-Clamp	10
FXB110934	Flexel® 50L liner – TPE	Silicone + Clear C-Flex® 374	1/2" × 3/4" × 1.5 m (60") 1-1/2" Tri-Clamp	10
FXB110936	Flexel® 100L liner – TPE	Silicone + Clear C-Flex® 374	1/2" × 3/4" × 1.5 m (60") 1-1/2" Tri-Clamp	10
FXB110937	Flexel® 200L liner – TPE	Silicone + Clear C-Flex® 374	1/2" × 3/4" × 1.5 m (60") 1-1/2" Tri-Clamp	10
FXB111636	Flexel® 300L liner – TPE	Silicone + Clear C-Flex® 374	1/2" × 3/4" × 1.5 m (60") 1-1/2" Tri-Clamp	10
FXB111637	Flexel® 370L liner – TPE	Silicone + Clear C-Flex® 374	1/2" × 3/4" × 1.5 m (60") 1-1/2" Tri-Clamp	10
FXB110939	Flexel® 560L liner – TPE	Silicone + Clear C-Flex® 374	1/2" × 3/4" × 1.5 m (60") 1-1/2" Tri-Clamp	5
FXB110940	Flexel® 1,000L liner – TPE	Silicone + Clear C-Flex® 374	1/2" × 3/4" × 1.5 m (60") 1-1/2" Tri-Clamp	5

## Ordering information

### 4.2. Standard Flexel® tank Liners for drum



Part number	Description	Sterility	Qty/Box
FXB207551	Flexel® 50L liner	Non sterile	20
FXB207552	Flexel® 100L liner	Non sterile	20
FXB207553	Flexel® 200L liner	Non sterile	20
FXB207554	Flexel® 300L liner	Non sterile	20
FXB207555	Flexel® 370L liner	Non sterile	20
FXB207556	Flexel® 560L liner	Non sterile	10
FXB207557	Flexel® 750L liner	Non sterile	10
FXB207051	Flexel® 1,000L liner	Non sterile	10
FXB207559	Flexel® 50L liner	Sterile	20
FXB207560	Flexel® 100L liner	Sterile	20
FXB207561	Flexel® 200L liner	Sterile	20
FXB207562	Flexel® 300L liner	Sterile	20
FXB207563	Flexel® 370L liner	Sterile	20
FXB207564	Flexel® 560L liner	Sterile	10
FXB207565	Flexel® 750L liner	Sterile	10
FXB207084	Flexel® 1,000L liner	Sterile	10

C-Flex® is a registered trademark of  
Saint-Gobain Performance Plastics Corporation.

Sartorius Stedim Biotech GmbH  
August-Spindler-Strasse 11  
37079 Goettingen, Germany  
Phone +49.551.308.0  
Fax +49.551.308.3289  
[www.sartorius-stedim.com](http://www.sartorius-stedim.com)

Sartorius Stedim North America Inc.  
5 Orville Drive  
Bohemia, NY 11716  
Toll-Free +1.800.368.7178  
Fax +1.631.254.4253

Specifications subject to change without notice.  
Copyright Sartorius Stedim Biotech GmbH.  
Printed in the EU on paper bleached without chlorine.  
Publication No.: SPT2010am151106  
Order No.: 85034-536-49  
Ver. 11 | 2015