



# Standard Flexel<sup>®</sup> 3D Bioprocessing Bags for Drums

(For Europe, Asia and Latin America)

## Product Information

Flexel<sup>®</sup> 3D standard bags are designed for processing, storage and transport of large volume biopharmaceutical solutions in drums. They provide a single-use alternative to traditional stainless steel vessels in a large variety of applications.



### Cost reduction and Risk reduction

Single-use Systems used in biopharmaceutical manufacturing improve process safety as they reduce the risk of cross contamination from batch-to-batch and product-to-product. Costly and time consuming CIP & SIP operations are minimized. This results not only in significant cost savings within the entire manufacturing process, but also in the optimization of capacity utilization.

### Applications

The multi-layer film construction of different materials provides a strong structure with low gas permeability and high chemical resistance for the safe processing of a wide range of biopharmaceutical fluids in a variety of applications such as:

- Buffers and Media filtration & storage
- Bulk harvest
- Product pooling
- Fraction collection
- Sample collection
- Bulk intermediate filtration & hold
- Final product storage and transport

### Flexibility

Standard Flexel<sup>®</sup> bags for drums are available as stand-alone bags with Silicone tubing, stand-alone bags with C-Flex tubing and Filter & Bag assemblies incorporating a variety of filter and bag sizes allowing easy adoption to process volume and media. Multiple configurations that also integrate thermoweldable TPE tubing are provided for flexible incorporation into your process. Thus, sterile connection and disconnection devices like the BioWelder<sup>®</sup> and the BioSealer<sup>®</sup> can be used to allow safe connections and disconnections from and to another process step.

Female luer fittings with a needle free sampling port may be used for easy and convenient sampling, quick connects may be attached directly or adapted to a variety of connections and tri-clamps that are widely used in a production environment assure maximum flexibility.

### Security of Supply

Sartorius Stedim Biotech has established multiple manufacturing sites with consistent industrial processes. The expertise of designing Single-Use solutions combined with collaborative supplier management and customer demand planning assures a state of the art product supported by a robust supply chain that can cope with strong market growth.

### Validation

Flexel® bags have been qualified applying the most comprehensive and innovative test regimes. Biological, chemical and physical tests combined with extensive extractable testing provide users of Flexel® with data representing the widest range of process fluids in a variety of processing conditions.

Full compliance with ISO11137 allows for a validated claim of sterility on all Sartorius Stedim Biotech single use products with a sterility assurance level of  $10^{-6}$  over the shelf life.

### Quality Assurance

Sartorius Stedim Biotech Quality Systems for Single Use Products follow applicable ISO and FDA regulations for Medical Devices. Design, Manufacture and Sterilization processes are conducted under conditions that mirror biopharmaceutical operations and meet cGMP requirements.

Flexel® 3D bags are tested for compliance to:

- USP <87>: Biological reactivity tests, in Vitro
- USP <88>: Biological reactivity tests, in Vivo
- USP <661>: Tests for plastic
- USP <788> and E.P. 2.9.19: Particulate
- ISO 11737: Bioburden
- ISO 11137: Sterilization of Medical devices

### Supply Chain

The majority of Standard Flexel® 3D bags for drum systems are available from stock.

## Features & Benefits

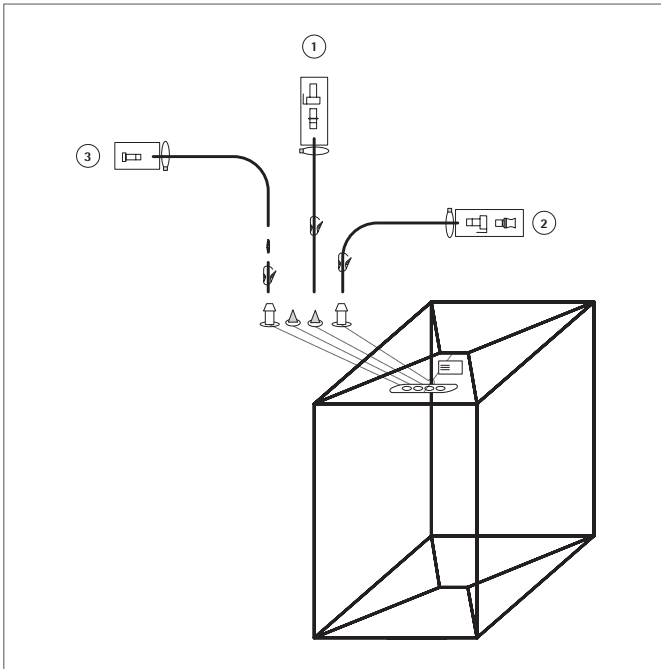
Multiple manufacturing sites	High security of supply
All connections extensively qualified	Safe and robust
Full compliance with ISO11137	Highest sterility assurance level
Standard design	Most designs available from stock
Various bag & filter sizes	High flexibility

## Specifications

Standard Flexel® 3D for Drum	
Bag Chamber:	Multiple layer film construction, including EVOH gas barrier layer, ULDPE Contact Layer
Tubing:	Silicone, TPE
Fittings:	MPX Couplings, Female Luer Lock, MPC Male Coupling, Triclamp, Needle free sampling port
Filters:	Sartopore® 2 Gamma Capsule
Volumes:	50 L – 1.000 L
Sterilization:	by Gamma Irradiation

## Ordering Information

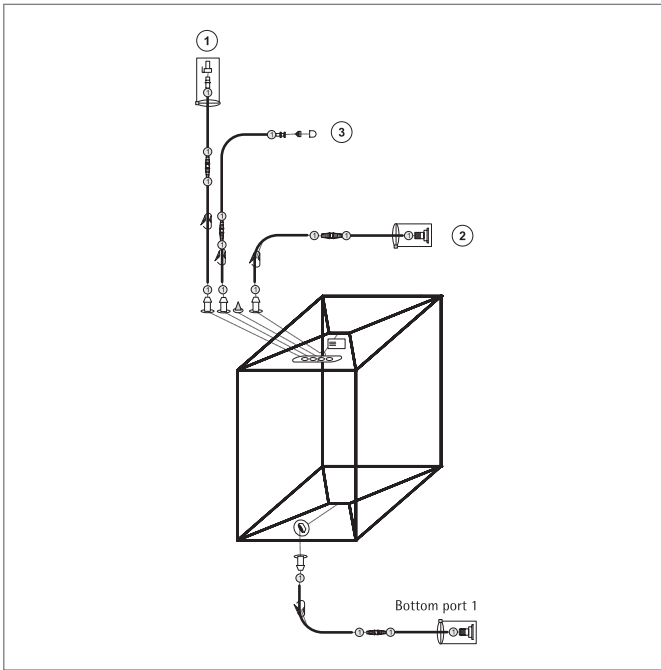
### 1. Standard Flexel® 3D bags for drum with silicone tubes



Part Number	Description	Tubing	Top Port 1	Top Port 2	Top Port 3	Top Port 4	Qty/Box
FXB103162	Flexel® 50L for Drum - Silicone	Silicone	1/2" x 11/16" x 0.5 m (20") 1/2" MPX male + sealing cap	1/2" x 11/16" x 0.5 m (20") 1/2" MPX male + sealing cap	Plug	Plug	5
FXB102464	Flexel® 100L for Drum - Silicone	Silicone	1/2" x 11/16" x 0.5 m (20") 1/2" MPX male + sealing cap	1/2" x 11/16" x 0.5 m (20") 1/2" MPX male + sealing cap	Plug	Plug	5
FXB102465	Flexel® 200L for Drum - Silicone	Silicone	1/2" x 11/16" x 0.5 m (20") 1/2" MPX male + sealing cap	1/2" x 11/16" x 0.5 m (20") 1/2" MPX male + sealing cap	Plug	Plug	5
FXB103294	Flexel® 300L for Drum - Silicone	Silicone	1/2" x 11/16" x 0.5 m (20") 1/2" MPX male + sealing cap	1/2" x 11/16" x 0.5 m (20") 1/2" MPX male + sealing cap	Plug	Plug	5
FXB103367	Flexel® 370L for Drum - Silicone	Silicone	1/2" x 11/16" x 0.5 m (20") 1/2" MPX male + sealing cap	1/2" x 11/16" x 0.5 m (20") 1/2" MPX male + sealing cap	Plug	Plug	5
FXB102167	Flexel® 560L for Drum - Silicone	Silicone	1/2" x 11/16" x 0.5 m (20") 1/2" MPX male + sealing cap	1/2" x 11/16" x 0.5 m (20") 1/2" MPX male + sealing cap	Plug	Plug	5
FXB102508	Flexel® 1.000L for Drum - Silicone	Silicone	1/2" x 11/16" x 0.5 m (20") 1/2" MPX male + sealing cap	1/2" x 11/16" x 0.5 m (20") 1/2" MPX male + sealing cap	Plug	Plug	5

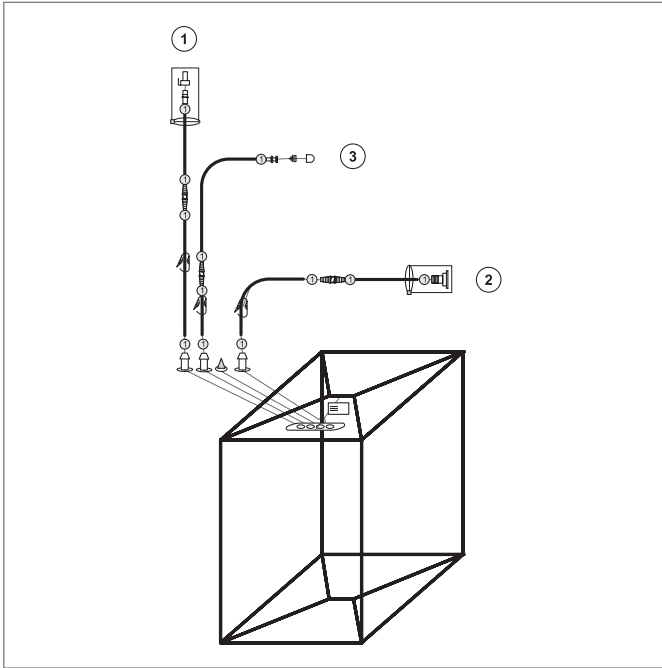
## 2. Standard Flexel® 3D bags for drum with silicone & TPE tubes

### 2.1. Standard Flexel® 3D bags for drum with silicone & TPE tubes with side bottom drain



Part Number	Description	Tubing	Top Port 1	Top Port 2	Top Port 3	Bottom Port 1	Qty/Box
FXB110917	Flexel® 50 L for Drum - TPE	Silicone + Clear C-Flex® 374	1/2" x 3/4" x 1.5 m (60") 1/2" MPX male + sealing cap	1/2" x 3/4" x 1.5 m (60") 1-1/2" Tri-Clamp	1/8" x 1/4" x 1.1 m (40") LL female + needle free sampling port	1/2" x 3/4" x 1.5 m (60") 1-1/2" Tri-Clamp	5
FXB110919	Flexel® 100 L for Drum - TPE	Silicone + Clear C-Flex® 374	1/2" x 3/4" x 1.5 m (60") 1/2" MPX male + sealing cap	1/2" x 3/4" x 1.5 m (60") 1-1/2" Tri-Clamp	1/8" x 1/4" x 1.1 m (40") LL female + needle free sampling port	1/2" x 3/4" x 1.5 m (60") 1-1/2" Tri-Clamp	5
FXB110920	Flexel® 200 L for Drum - TPE	Silicone + Clear C-Flex® 374	1/2" x 3/4" x 1.5 m (60") 1/2" MPX male + sealing cap	1/2" x 3/4" x 1.5 m (60") 1-1/2" Tri-Clamp	1/8" x 1/4" x 1.1 m (40") LL female + needle free sampling port	1/2" x 3/4" x 1.5 m (60") 1-1/2" Tri-Clamp	5
FXB111626	Flexel® 300 L for Drum - TPE	Silicone + Clear C-Flex® 374	1/2" x 3/4" x 1.5 m (60") 1/2" MPX male + sealing cap	1/2" x 3/4" x 1.5 m (60") 1-1/2" Tri-Clamp	1/8" x 1/4" x 1.1 m (40") LL female + needle free sampling port	1/2" x 3/4" x 1.5 m (60") 1-1/2" Tri-Clamp	5
FXB111631	Flexel® 370 L for Drum - TPE	Silicone + Clear C-Flex® 374	1/2" x 3/4" x 1.5 m (60") 1/2" MPX male + sealing cap	1/2" x 3/4" x 1.5 m (60") 1-1/2" Tri-Clamp	1/8" x 1/4" x 1.1 m (40") LL female + needle free sampling port	1/2" x 3/4" x 1.5 m (60") 1-1/2" Tri-Clamp	5
FXB110921	Flexel® 560 L for Drum - TPE	Silicone + Clear C-Flex® 374	1/2" x 3/4" x 1.5 m (60") 1/2" MPX male + sealing cap	1/2" x 3/4" x 1.5 m (60") 1-1/2" Tri-Clamp	1/8" x 1/4" x 1.1 m (40") LL female + needle free sampling port	1/2" x 3/4" x 1.5 m (60") 1-1/2" Tri-Clamp	2

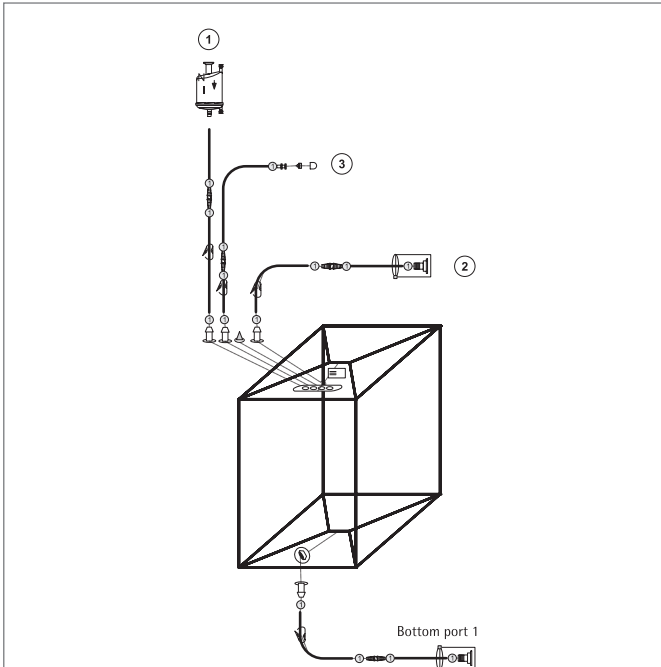
## 2.2. Standard Flexel® 3D bags for drum with silicone & TPE tubes



Part Number	Description	Tubing	Top Port 1	Top Port 2	Top Port 3	Bottom Port 1	Qty/Box
FXB110922	Flexel® 50 L for Drum - TPE	Silicone + Clear C-Flex® 374	1/2" × 3/4" × 1.5 m (60") 1/2" MPX male + sealing cap	1/2" × 3/4" × 1.5 m (60") 1-1/2" Tri-Clamp	1/8" × 1/4" × 1.1 m (40") LL female + needle free sampling port	No bottom drain	5
FXB110923	Flexel® 100 L for Drum - TPE	Silicone + Clear C-Flex® 374	1/2" × 3/4" × 1.5 m (60") 1/2" MPX male + sealing cap	1/2" × 3/4" × 1.5 m (60") 1-1/2" Tri-Clamp	1/8" × 1/4" × 1.1 m (40") LL female + needle free sampling port	No bottom drain	5
FXB110924	Flexel® 200 L for Drum - TPE	Silicone + Clear C-Flex® 374	1/2" × 3/4" × 1.5 m (60") 1/2" MPX male + sealing cap	1/2" × 3/4" × 1.5 m (60") 1-1/2" Tri-Clamp	1/8" × 1/4" × 1.1 m (40") LL female + needle free sampling port	No bottom drain	5

### 3. Standard Flexel® 3D bags for drum with silicone & TPE tubes & Sartopore® 2 Gamma MidiCaps

#### 3.1. Standard Flexel® 3D bags for drum with silicone & TPE tubes with side bottom drain & Sartopore® 2 Gamma MidiCaps 0.2 µm (50 L to 370 L)



Part Number	Description	Tubing	Top Port 1	Top Port 2	Top Port 3	Bottom Port 1	Qty/Box
FXB110954	Flexel® 50L for Drum - TPE - Sartopore® 2 Gamma	Silicone + Clear C-Flex® 374	1/2" x 3/4" x 1.5 m (60") Sartopore® 2 Gamma, MidiCaps size 7, 0.2 µm; filter inlet 1.5" sanitary flange 500 cm <sup>2</sup>	1/2" x 3/4" x 1.5 m (60") 1-1/2" Tri-Clamp	1/8" x 1/4" x 1.1 m (40") LL female + needle free sampling port	1/2" x 3/4" x 1.5 m (60") 1-1/2" Tri-Clamp	5
FXB110958	Flexel® 100L for Drum - TPE   - Sartopore® 2 Gamma	Silicone + Clear C-Flex® 374	1/2" x 3/4" x 1.5 m (60") Sartopore® 2 Gamma, MidiCaps size 8, 0.2 µm; filter inlet 1.5" sanitary flange 1000 cm <sup>2</sup>	1/2" x 3/4" x 1.5 m (60") 1-1/2" Tri-Clamp	1/8" x 1/4" x 1.1 m (40") LL female + needle free sampling port	1/2" x 3/4" x 1.5 m (60") 1-1/2" Tri-Clamp	5
FXB110960	Flexel® 200L for Drum - TPE - Sartopore® 2 Gamma	Silicone + Clear C-Flex® 374	1/2" x 3/4" x 1.5 m (60") Sartopore® 2 Gamma MidiCaps size 9, 0.2 µm; filter inlet 1.5" sanitary flange 2000 cm <sup>2</sup>	1/2" x 3/4" x 1.5 m (60") 1-1/2" Tri-Clamp	1/8" x 1/4" x 1.1 m (40") LL female + needle free sampling port	1/2" x 3/4" x 1.5 m (60") 1-1/2" Tri-Clamp	5
FXB111629	Flexel® 300L for Drum - TPE - Sartopore® 2 Gamma	Silicone + Clear C-Flex® 374	1/2" x 3/4" x 1.5 m (60") Sartopore® 2 Gamma MidiCaps size 9, 0.2 µm; filter inlet 1.5" sanitary flange 2000 cm <sup>2</sup>	1/2" x 3/4" x 1.5 m (60") 1-1/2" Tri-Clamp	1/8" x 1/4" x 1.1 m (40") LL female + needle free sampling port	1/2" x 3/4" x 1.5 m (60") 1-1/2" Tri-Clamp	2

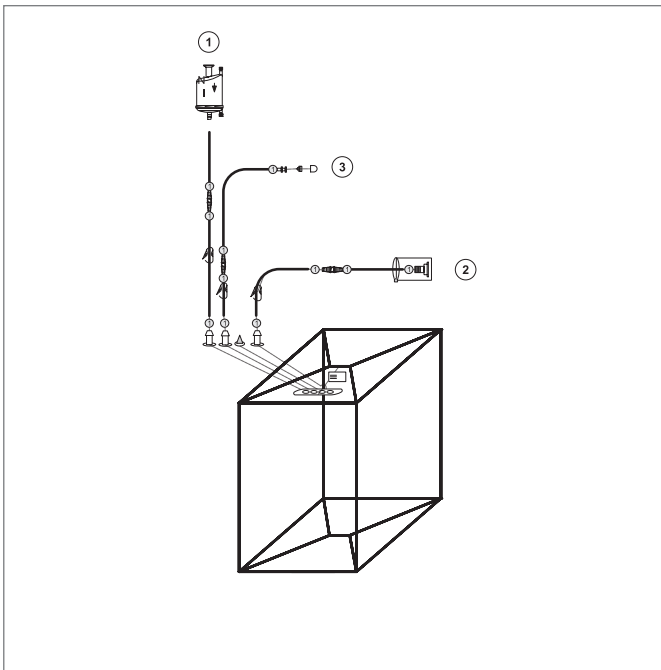
**3.1. Standard Flexel® 3D bags for drum with silicone & TPE tubes with side bottom drain  
& Sartopore® 2 Gamma MidiCaps 0.2 µm (50 L to 370 L)**

Part Number	Description	Tubing	Top Port 1	Top Port 2	Top Port 3	Bottom Port 1	Qty/Box
FXB111633	Flexel® 370L for Drum - TPE - Sartopore® 2 Gamma	Silicone + Clear C-Flex® 374	½" × ¾" × 1.5 m (60") Sartopore® 2 Gamma MidiCaps size 9, 0.2 µm; filter inlet 1.5" sanitary flange 2000 cm <sup>2</sup>	½" × ¾" × 1.5 m (60") 1-½" Tri-Clamp	⅛" × ¼" × 1.1 m (40") LL female + needle free sampling port	½" × ¾" × 1.5 m (60") 1-½" Tri-Clamp	2

**3.2. Standard Flexel® 3D bags for drum with silicone & TPE tubes with side bottom drain  
& Sartopore® 2 Gamma MidiCaps 0.1 µm (50 L to 370 L)**

Part Number	Description	Tubing	Top Port 1	Top Port 2	Top Port 3	Bottom Port 1	Qty/Box
FXB110969	Flexel® 50L for Drum - TPE - Sartopore® 2 Gamma	Silicone + Clear C-Flex® 374	½" × ¾" × 1.5 m (60") Sartopore® 2 Gamma MidiCaps size 7, 0.1 µm; filter inlet 1.5" sanitary flange 500 cm <sup>2</sup>	½" × ¾" × 1.5 m (60") 1-½" Tri-Clamp	⅛" × ¼" × 1.1 m (40") LL female + needle free sampling port	½" × ¾" × 1.5 m (60") 1-½" Tri-Clamp	5
FXB110971	Flexel® 100L for Drum - TPE   - Sartopore® 2 Gamma	Silicone + Clear C-Flex® 374	½" × ¾" × 1.5 m (60") Sartopore® 2 Gamma MidiCaps size 8, 0.1 µm; filter inlet 1.5" sanitary flange 1000 cm <sup>2</sup>	½" × ¾" × 1.5 m (60") 1-½" Tri-Clamp	⅛" × ¼" × 1.1 m (40") LL female + needle free sampling port	½" × ¾" × 1.5 m (60") 1-½" Tri-Clamp	5
FXB110973	Flexel® 200L for Drum - TPE - Sartopore® 2 Gamma	Silicone + Clear C-Flex® 374	½" × ¾" × 1.5 m (60") Sartopore® 2 Gamma MidiCaps size 9, 0.1 µm; filter inlet 1.5" sanitary flange 2000 cm <sup>2</sup>	½" × ¾" × 1.5 m (60") 1-½" Tri-Clamp	⅛" × ¼" × 1.1 m (40") LL female + needle free sampling port	½" × ¾" × 1.5 m (60") 1-½" Tri-Clamp	5
FXB111630	Flexel® 300L for Drum - TPE - Sartopore® 2 Gamma	Silicone + Clear C-Flex® 374	½" × ¾" × 1.5 m (60") Sartopore® 2 Gamma MidiCaps size 9, 0.1 µm; filter inlet 1.5" sanitary flange 2000 cm <sup>2</sup>	½" × ¾" × 1.5 m (60") 1-½" Tri-Clamp	⅛" × ¼" × 1.1 m (40") LL female + needle free sampling port	½" × ¾" × 1.5 m (60") 1-½" Tri-Clamp	2
FXB111634	Flexel® 370L for Drum - TPE - Sartopore® 2 Gamma	Silicone + Clear C-Flex® 374	½" × ¾" × 1.5 m (60") Sartopore® 2 Gamma MidiCaps size 9, 0.1 µm; filter inlet 1.5" sanitary flange 2000 cm <sup>2</sup>	½" × ¾" × 1.5 m (60") 1-½" Tri-Clamp	⅛" × ¼" × 1.1 m (40") LL female + needle free sampling port	½" × ¾" × 1.5 m (60") 1-½" Tri-Clamp	2

### 3.3. Standard Flexel® 3D bags for drum with silicone & TPE tubes & Sartopore® 2 Gamma MidiCaps 0.2 µm (50 L to 200 L)



Part Number	Description	Tubing	Top Port 1	Top Port 2	Top Port 3	Bottom Port 1	Qty/Box
FXB110955	Flexel® 50L for Drum - TPE - Sartopore® 2 Gamma	Silicone + Clear C-Flex® 374	1/2" x 3/4" x 1.5 m (60") Sartopore® 2 Gamma MidiCaps size 7, 0.2 µm; filter inlet 1.5" sanitary flange 500 cm <sup>2</sup>	1/2" x 3/4" x 1.5 m (60") 1-1/2" Tri-Clamp	1/8" x 1/4" x 1.1 m (40") LL female + needle free sampling port	No bottom drain	5
FXB110959	Flexel® 100L for Drum - TPE   - Sartopore® 2 Gamma	Silicone + Clear C-Flex® 374	1/2" x 3/4" x 1.5 m (60") Sartopore® 2 Gamma MidiCaps size 8, 0.2 µm; filter inlet 1.5" sanitary flange 1000 cm <sup>2</sup>	1/2" x 3/4" x 1.5 m (60") 1-1/2" Tri-Clamp	1/8" x 1/4" x 1.1 m (40") LL female + needle free sampling port	No bottom drain	5
FXB110961	Flexel® 200L for Drum - TPE - Sartopore® 2 Gamma	Silicone + Clear C-Flex® 374	1/2" x 3/4" x 1.5 m (60") Sartopore® 2 Gamma MidiCaps size 9, 0.2 µm; filter inlet 1.5" sanitary flange 2000 cm <sup>2</sup>	1/2" x 3/4" x 1.5 m (60") 1-1/2" Tri-Clamp	1/8" x 1/4" x 1.1 m (40") LL female + needle free sampling port	No bottom drain	5

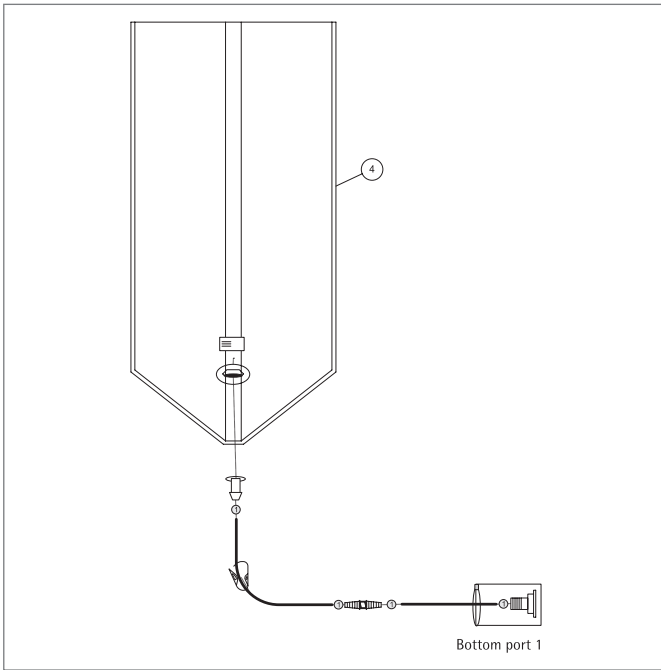


### 3.3. Standard Flexel® 3D bags for drum with silicone & TPE tubes & Sartopore® 2 Gamma MidiCaps 0.1 µm (50 L to 200 L)

Part Number	Description	Tubing	Top Port 1	Top Port 2	Top Port 3	Bottom Port 1	Qty/Box
FXB110970	Flexel® 50L for Drum - TPE - Sartopore® 2 Gamma	Silicone + Clear C-Flex® 374	1/2" x 3/4" x 1.5 m (60") Sartopore® 2 Gamma MidiCaps size 7, 0.1 µm; filter inlet 1.5" sanitary flange 500 cm <sup>2</sup>	1/2" x 3/4" x 1.5 m (60") 1-1/2" Tri-Clamp	1/8" x 1/4" x 1.1 m (40") LL female + needle free sampling port	No bottom drain	5
FXB110972	Flexel® 100L for Drum - TPE   - Sartopore® 2 Gamma	Silicone + Clear C-Flex® 374	1/2" x 3/4" x 1.5 m (60") Sartopore® 2 Gamma MidiCaps size 8, 0.1 µm; filter inlet 1.5" sanitary flange 1000 cm <sup>2</sup>	1/2" x 3/4" x 1.5 m (60") 1-1/2" Tri-Clamp	1/8" x 1/4" x 1.1 m (40") LL female + needle free sampling port	No bottom drain	5
FXB110974	Flexel® 200L for Drum - TPE - Sartopore® 2 Gamma	Silicone + Clear C-Flex® 374	1/2" x 3/4" x 1.5 m (60") Sartopore® 2 Gamma MidiCaps size 9, 0.1 µm; filter inlet 1.5" sanitary flange 2000 cm <sup>2</sup>	1/2" x 3/4" x 1.5 m (60") 1-1/2" Tri-Clamp	1/8" x 1/4" x 1.1 m (40") LL female + needle free sampling port	No bottom drain	5

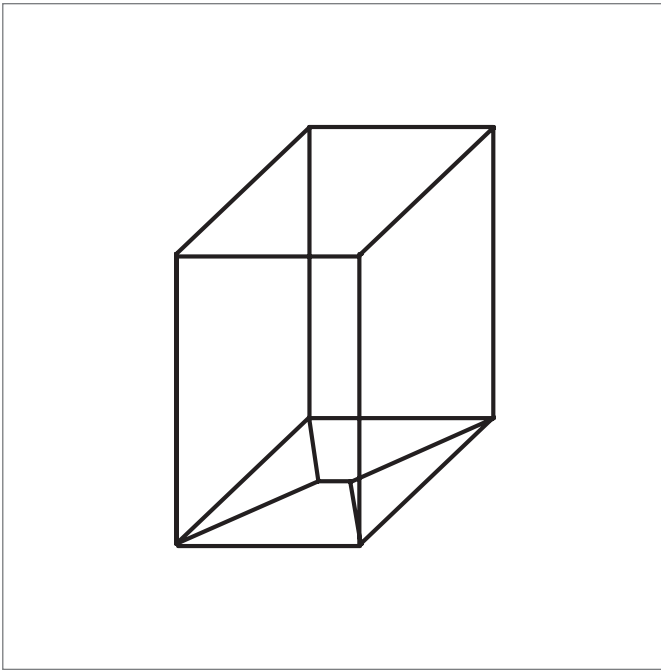
#### 4. Standard Flexel® Tank Liners for drum

##### 4.1. Standard Sterile Flexel® tank Liners for drum with side bottom drain



Part Number	Description	Tubing	Bottom Port 1	Qty/Box
FXB110931	Flexel® 30L liner - TPE	Silicone + Clear C-Flex® 374	1/2" x 3/4" x 1.5 m (60") 1-1/2" Tri-Clamp	10
FXB110934	Flexel® 50L liner - TPEa	Silicone + Clear C-Flex® 374	1/2" x 3/4" x 1.5 m (60") 1-1/2" Tri-Clamp	10
FXB110936	Flexel® 100L liner - TPE	Silicone + Clear C-Flex® 374	1/2" x 3/4" x 1.5 m (60") 1-1/2" Tri-Clamp	10
FXB110937	Flexel® 200L liner - TPE	Silicone + Clear C-Flex® 374	1/2" x 3/4" x 1.5 m (60") 1-1/2" Tri-Clamp	10
FXB111636	Flexel® 300L liner - TPE	Silicone + Clear C-Flex® 374	1/2" x 3/4" x 1.5 m (60") 1-1/2" Tri-Clamp	10
FXB111637	Flexel® 370L liner - TPE	Silicone + Clear C-Flex® 374	1/2" x 3/4" x 1.5 m (60") 1-1/2" Tri-Clamp	10
FXB110939	Flexel® 560L liner - TPE	Silicone + Clear C-Flex® 374	1/2" x 3/4" x 1.5 m (60") 1-1/2" Tri-Clamp	5
FXB110940	Flexel® 1.000L liner - TPE	Silicone + Clear C-Flex® 374		5

#### 4.2. Standard Flexel<sup>®</sup> tank Liners for drum



Part Number	Description	Sterility	Qty/Box
FXB102120	Flexel <sup>®</sup> 50L liner	Non sterile	20
FXB102116	Flexel <sup>®</sup> 100L liner	Non sterile	20
FXB102117	Flexel <sup>®</sup> 200L liner	Non sterile	20
FXB102119	Flexel <sup>®</sup> 300L liner	Non sterile	20
FXB103406	Flexel <sup>®</sup> 370L liner	Non sterile	20
FXB103357	Flexel <sup>®</sup> 560L liner	Non sterile	20
FXB111118	Flexel <sup>®</sup> 30L liner	Sterile	10
FXB103126	Flexel <sup>®</sup> 50L liner	Sterile	40
FXB103087	Flexel <sup>®</sup> 100L liner	Sterile	20
FXB102965	Flexel <sup>®</sup> 200L liner	Sterile	20
FXB103132	Flexel <sup>®</sup> 300L liner	Sterile	10
FXB103318	Flexel <sup>®</sup> 370L liner	Sterile	15
FXB103368	Flexel <sup>®</sup> 560L liner	Sterile	20

# Sales and Service Contacts

For further contacts, visit [www.sartorius-stedim.com](http://www.sartorius-stedim.com)

## Europe

### Germany

Sartorius Stedim Biotech GmbH  
August-Spindler-Strasse 11  
37079 Goettingen  
Phone +49.551.308.0

Sartorius Stedim Systems GmbH  
Robert-Bosch-Strasse 5-7  
34302 Guxhagen  
Phone +49.5665.407.0

### France

Sartorius Stedim FMT S.A.S.  
ZI des Paluds  
Avenue de Jouques - CS 91051  
13781 Aubagne Cedex  
Phone +33.442.845600

Sartorius Stedim France SAS  
ZI des Paluds  
Avenue de Jouques - CS 71058  
13781 Aubagne Cedex  
Phone +33.442.845600

### Austria

Sartorius Stedim Austria GmbH  
Modecenterstrasse 22  
1030 Vienna  
Phone +43.1.7965763.18

### Belgium

Sartorius Stedim Belgium N.V.  
Rue Colonel Bourg 105  
1030 Bruxelles  
Phone +32.2.756.06.80

### Hungary

Sartorius Stedim Hungária Kft.  
Kagyló u. 5  
2092 Budakeszi  
Phone +36.23.457.227

### Italy

Sartorius Stedim Italy S.r.l.  
Via dell'Antella, 76/A  
50012 Antella-Bagno a Ripoli (FI)  
Phone +39.055.63.40.41

### Netherlands

Sartorius Stedim Netherlands B.V.  
Phone +31.30.60.25.080  
[filtratie.nederland@sartorius-stedim.com](mailto:filtratie.nederland@sartorius-stedim.com)

### Poland

Sartorius Stedim Poland Sp. z o.o.  
ul. Wrzesinska 70  
62-025 Kostrzyn  
Phone +48.61.647.38.40

### Russian Federation

LLC "Sartorius Stedim RUS"  
Vasilyevsky Island  
5<sup>th</sup> line 70, Lit. A  
199178 St. Petersburg  
Phone +7.812.327.53.27

### Spain

Sartorius Stedim Spain, S.A.U.  
Avda. de la Industria, 32  
Edificio PAYMA  
28108 Alcobendas (Madrid)  
Phone +34.913.586.098

### Switzerland

Sartorius Stedim Switzerland AG  
Ringstrasse 24 a  
8317 Tagelswangen  
Phone +41.52.354.36.36

### U.K.

Sartorius Stedim UK Ltd.  
Longmead Business Centre  
Blenheim Road, Epsom  
Surrey KT19 9 QQ  
Phone +44.1372.737159

### Ukraine

LLC "Sartorius Stedim RUS"  
Post Box 440 "B"  
01001 Kiev, Ukraine  
Phone +380.44.411.4918

## Americas

### USA

Sartorius Stedim North America Inc.  
5 Orville Drive, Suite 200  
Bohemia, NY 11716  
Toll-Free +1.800.368.7178

### Argentina

Sartorius Argentina S.A.  
Int. A. Ávalos 4251  
B1605ECS Munro  
Buenos Aires  
Phone +54.11.4721.0505

### Brazil

Sartorius do Brasil Ltda  
Avenida Senador Vergueiro 2962  
São Bernardo do Campo  
CEP 09600-000 - SP- Brasil  
Phone +55.11.4362.8900

### Mexico

Sartorius de México, S.A. de C.V.  
Libramiento Norte de Tepotzotlan s/n,  
Colonia Barrio Tlacateco,  
Municipio de Tepotzotlan,  
Estado de México,  
C.P. 54605  
Phone +52.55.5562.1102  
[leadsmex@sartorius.com](mailto:leadsmex@sartorius.com)

### Peru

Sartorius Peru S.A.C.  
Avenue Alberto del Campo 411  
Floor 12 - The Office  
15076 - San Isidro, Lima  
Phone +51.1.441 0158

## Asia | Pacific

### Australia

Sartorius Stedim Australia Pty. Ltd.  
Unit 5, 7-11 Rodeo Drive  
Dandenong South Vic 3175  
Phone +61.3.8762.1800

### China

Sartorius Stedim (Shanghai)  
Trading Co., Ltd.  
3rd Floor, North Wing, Tower 1  
No. 4560 Jinke Road  
Zhangjiang Hi-Tech Park  
Pudong District  
Shanghai 201210, P.R. China  
Phone +86.21.6878.2300

Sartorius Stedim (Shanghai)  
Trading Co., Ltd.  
Beijing Branch Office  
No. 33 Yu'an Road  
Airport Industrial Park Zone B  
Shunyi District, Beijing 101300  
Phone +86.10.8042.6501

Sartorius Stedim (Shanghai)  
Trading Co., Ltd.  
Guangzhou Branch Office  
Room 1105  
Xing Guang Ying Jing Building  
No. 119, Shui Yin Road  
Yue Xiu District, Guangzhou 510075  
Phone +86.20.3836.4193

### India

Sartorius Stedim India Pvt. Ltd.  
#69/2-69/3, NH 48, Jakkasandra  
Nelamangala Tq  
562 123 Bangalore, India  
Phone +91.80.4350.5250

### Japan

Sartorius Stedim Japan K.K.  
4th Fl., Daiwa Shinagawa North Bldg.  
8-11, Kita-Shinagawa 1-chome  
Shinagawa-ku, Tokyo, 140-0001 Japan  
Phone +81.3.4331.4300

### Malaysia

Sartorius Stedim Malaysia Sdn. Bhd.  
Lot L3-E-3B, Enterprise 4  
Technology Park Malaysia  
Bukit Jalil  
57000 Kuala Lumpur, Malaysia  
Phone +60.3.8996.0622

### Singapore

Sartorius Stedim Singapore Pte. Ltd.  
10 Science Park Rd  
The Alpha #02-13/14  
Singapore Science Park II  
Singapore 117684  
Phone +65.6872.3966

### South Korea

Sartorius Korea Biotech Co., Ltd.  
8th Floor, Solid Space B/D,  
PanGyoYeok-Ro 220, BunDang-Gu  
SeongNam-Si, GyeongGi-Do, 463-400  
Phone +82.31.622.5700



▶ [www.sartorius-stedim.com](http://www.sartorius-stedim.com)